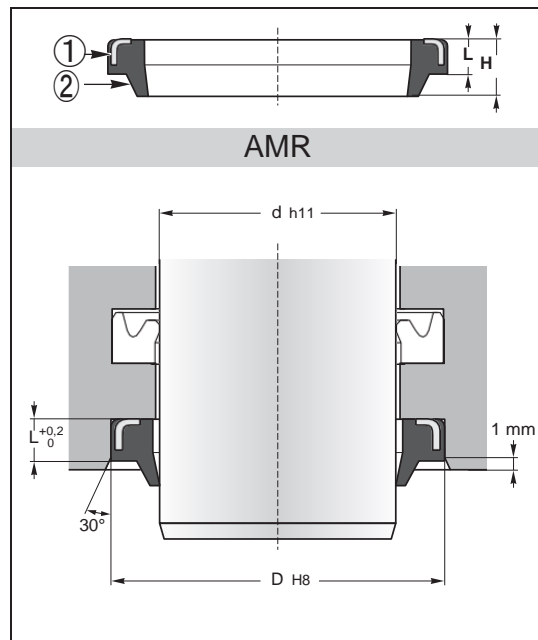




AMR

NBR wiper with internal metal cage for open groove



AMR is a single-acting elastomer wiper with a metal ring which is vulcanised into the elastomer body. The wiper has to be pressed into the open groove.

The function of AMR wiper is to prevent introduction of dust, dirt and foreign matter into the system, to protect the guiding parts and to extend the service life of the rod seal. The nitrile elastomer wiper lip produces an effective cleaning action to avoid damage to all internal components.

Operating conditions

Temperature	-30°C to 100°C
Speed	≤ 0,8 m/s

Materials

Metal cage ①	Carbon steel
Wiper ②	NBR

Assembly

Must be pressed in an open housing

Advantages

- External press-fitting for a good housing protection
- Space-saving construction
- Good price-performance ratio
- Small housing
- Simple groove construction
- Metal ring protected against corrosive media
- Easy installation especially with small diameters

Please contact us for applications approaching maximum values.

d	D	L	H	ISO 6195B	Reference
8	14	3,5	5		AMR-0814-3
12	18	3,5	5		AMR-1218-3
14	20	3,5	5		AMR-1420-3
15	21	3,5	5		AMR-1521-3
16	22	3,5	5		AMR-1622-3
18	28	5	7		AMR-1828-5
20	30	5	7		AMR-2030-5
22	32	5	7		AMR-2232-5
25	35	5	7		AMR-2535-5
	35	7	10		AMR-2535-7
28	38	5	7		AMR-2838-5
30	40	5	7		AMR-3040-5
	40	7	10		AMR-3040-7
32	42	5	7		AMR-3242-5
35	45	7	10		AMR-3545-7
36	46	5	7		AMR-3646-5
40	50	5	8		AMR-4050-5

d	D	L	H	ISO 6195B	Reference
42	52	5	7		AMR-4252-5
	52	7	10		AMR-4252-7
45	55	5	7		AMR-4555-5
50	60	5	7		AMR-5060-5
55	65	5	7		AMR-5565-5
56	66	5	7		AMR-5666-5
60	70	5	7		AMR-6070-5
63	73	5	7		AMR-6373-5
65	75	5	7		AMR-6575-5
70	80	5	7		AMR-7080-5
75	83	7	10		AMR-7583-7
	85	7	10		AMR-7585-7
80	88	7	10		AMR-8088-7
	90	7	10		AMR-8090-7
85	95	7	10		AMR-8595-7
100	110	7	10		AMR-100110-7
	120	7	10		AMR-100120-7
140	155	9	12		AMR-140155-9
160	175	9	12		AMR-160175-9