

STD compact rod seals can be used for rod applications thanks to their sealing lip design.

The compact form provides a high sealing effect even with low pressures.

With a wide range of dimensions available, STD compact rod seals, which have an impressive price-performance ratio, are produced using the standard PU materials.

Operating conditions

Pressure	≤ 40 MPa
Temperature	-30°C to 100°C
Speed	≤ 0,5 m/s

Materials

Seal	Polyurethane
------	--------------

Assembly

- In closed grooves (A)
- In open grooves (B)

Advantages

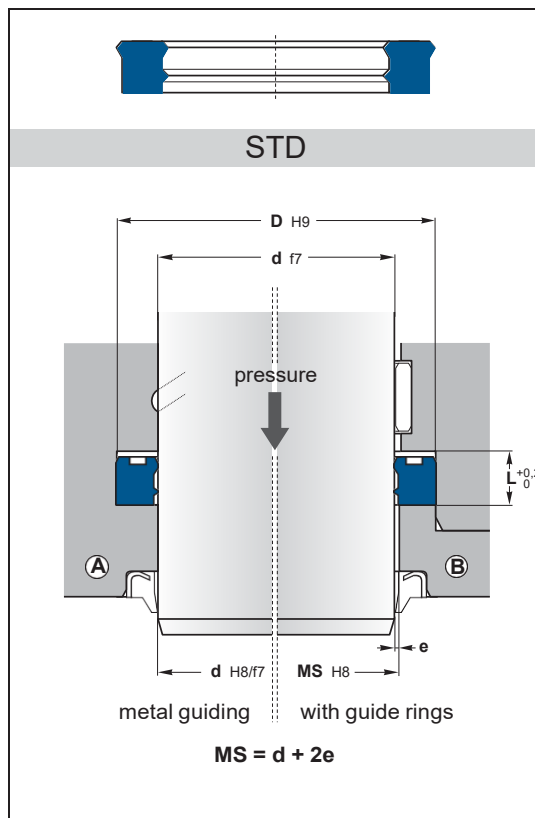
- Excellent abrasion resistance
- Efficient sealing at low and high pressures
- Suitable for telescopic cylinders
- Suitable for small grooves
- Unaffected by sudden loads
- Do not use with double acting wipers without a drain hole between wiper and seal

Please contact us for applications approaching maximum values.

Pressure (MPa)	e (mm)	
	d ≤ 60 mm	d > 60 mm
5	≤ 0,4	≤ 0,5
10	≤ 0,3	≤ 0,4
20	≤ 0,2	≤ 0,3
30	≤ 0,15	≤ 0,2
40	≤ 0,1	≤ 0,15

d	D	L	Reference
6	10	4,5	STD-0610-1
	14	6,3	STD-0614
8	14	6,3	STD-0814-1
	15	6,3	STD-0815
	16	6,3	STD-0816
10	16	5,4	STD-1016
	18	6,3	STD-1018
12	19	6,3	STD-1219
	20	6,3	STD-1220
	23	7,5	STD-1223
14	20	5,3	STD-1420
	21	6	STD-1421
	22	6,3	STD-1422
15	21,5	5	STD-1521
	23	7	STD-1523
16	22	5,5	STD-1622-2
	22	6	STD-1622-1
	24	6,3	STD-1624
18	22	4,5	STD-1822
	24	5,2	STD-1824
	25	5,7	STD-1825
	26	6,3	STD-1826
26	26	9	STD-1826-1
	28	6,3	STD-1828
	28	8	STD-1828-1
20	26	6	STD-2026
	27	6,5	STD-2027
	28	6,3	STD-2028
22	28	8	STD-2028-1
	30	5	STD-2030-3
	30	8	STD-2030
	30	6,3	STD-2228-1
	30	6,3	STD-2230-1
24	30	7	STD-2230-2
	30	8	STD-2230
	32	8	STD-2232
	32	9	STD-2232-1
24	32	6,5	STD-2432
	34	6,5	STD-2434

d	D	L	Reference
25	33	6,3	STD-2533
	33	7,5	STD-2533-2
	33	8	STD-2533-3
33	33	9	STD-2533-1
	35	6,3	STD-2535-3
	35	8	STD-2535-1
	35	9	STD-2535-4
35	35	11	STD-2535-5
	36	6	STD-2536
27	37	6,3	STD-2737
28	36	6,3	STD-2836-1
	36	9	STD-2836
	38	6,3	STD-2838
38	38	8	STD-2838-1
	38	8	STD-2838-1
30	38	6,3	STD-3038-1
	38	8	STD-3038-2
	38	9	STD-3038
40	40	7,5	STD-3040
	40	8	STD-3040-1
	40	11	STD-3040-2
	42	8	STD-3242
	42	11	STD-3242-2
42,5	42,5	9	STD-3242-3
	47	11	STD-3247
35	43	6,3	STD-3543-2
	43	7	STD-3543
	43	9	STD-3543-1
	44	8	STD-3544
	45	6,3	STD-3545-3
45	45	8	STD-3545
	45	11	STD-3545-1
	45	13,5	STD-3545-2
	50	11	STD-3550
36	44	6,3	STD-3644-1
	44	9	STD-3644
	46	8	STD-3646
46	11	STD-3646-1	



STD compact rod seals can be used for rod applications thanks to their sealing lip design.

The compact form provides a high sealing effect even with low pressures.

With a wide range of dimensions available, STD compact rod seals, which have an impressive price-performance ratio, are produced using the standard PU materials.

Operating conditions

Pressure	≤ 40 MPa
Temperature	-30°C to 100°C
Speed	≤ 0,5 m/s

Materials

Seal	Polyurethane
------	--------------

Assembly

- In closed grooves (A)
- In open grooves (B)

Advantages

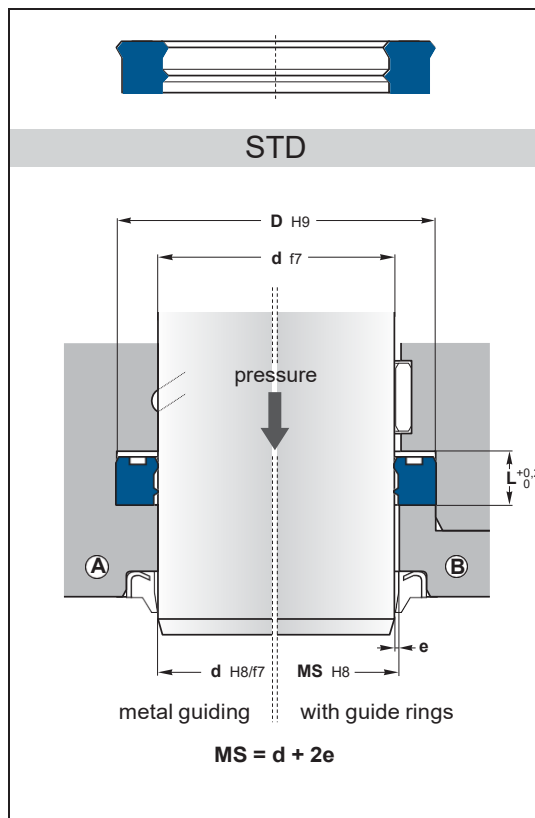
- Excellent abrasion resistance
- Efficient sealing at low and high pressures
- Suitable for telescopic cylinders
- Suitable for small grooves
- Unaffected by sudden loads
- Do not use with double acting wipers without a drain hole between wiper and seal

Please contact us for applications approaching maximum values.

Pressure (MPa)	e (mm)	
	d ≤ 60 mm	d > 60 mm
5	≤ 0,4	≤ 0,5
10	≤ 0,3	≤ 0,4
20	≤ 0,2	≤ 0,3
30	≤ 0,15	≤ 0,2
40	≤ 0,1	≤ 0,15

d	D	L	Reference
37	47	8	STD-3747
	47	9	STD-3747-1
	47	11	STD-3747-2
38	50	9,5	STD-3850
40	48	6,3	STD-4048-1
	48	7	STD-4048-2
	48	9	STD-4048
50	50	6,3	STD-4050-3
	50	7	STD-4050
	50	8	STD-4050-2
	50	11	STD-4050-1
55	55	11	STD-4055-1
42	50	7	STD-4250
	52	9	STD-4252
45	53	6,3	STD-4553-3
	53	9	STD-4553
	55	6,3	STD-4555-2
	55	8	STD-4555
55	55	11	STD-4555-1
	57	10	STD-4557-1
	57,7	10,5	STD-4557
60	60	12,5	STD-4560-1
46	54	9	STD-4654
48	60	7	STD-4860
50	58	9	STD-5058
	60	8	STD-5060
	60	10	STD-5060-2
60	60	11	STD-5060-1
	62	9	STD-5062-1
	62	11	STD-5062
	62,7	10,5	STD-5062-2
65	65	11	STD-5065
	65	12,5	STD-5065-1
70	70	14,5	STD-5070-1
55	63	9	STD-5563
	65	8	STD-5565
	65	11	STD-5565-1
65	65	13	STD-5565-2
	70	10,5	STD-5570-1

d	D	L	Reference
56	66	7,5	STD-5666-1
	66	11	STD-5666
	71	10,5	STD-5671-1
71	71	12,5	STD-5671
60	68	9	STD-6068
	70	8	STD-6070
	70	11	STD-6070-1
70	70	12,5	STD-6070-2
	70	13	STD-6070-3
	71	9	STD-6071
	72	10	STD-6072
75	75	11	STD-6075-1
61	69	8,5	STD-6169-2
	69	9	STD-6169
63	73	11	STD-6373
	75	9,5	STD-6375-2
	75	11	STD-6375-1
78	78	12,5	STD-6378-1
65	73	9	STD-6573
	75	13	STD-6575
	77	10	STD-6577
68	76	9	STD-6876
70	78	9	STD-7078
	80	8	STD-7080
	80	11	STD-7080-1
80	80	13	STD-7080-2
	82	10	STD-7082
	85	12,5	STD-7085
75	83	9	STD-7583-1
	85	8	STD-7585
	85	13	STD-7585-1
90	90	11,5	STD-7590-1
76	84	8,5	STD-7684
	84	8,5	STD-7684-1
76,2	91,2	13	STD-7691-1
78	86	9	STD-7886-1
79	87,7	9	STD-7987



STD compact rod seals can be used for rod applications thanks to their sealing lip design.

The compact form provides a high sealing effect even with low pressures.

With a wide range of dimensions available, STD compact rod seals, which have an impressive price-performance ratio, are produced using the standard PU materials.

Operating conditions

Pressure	≤ 40 MPa
Temperature	-30°C to 100°C
Speed	≤ 0,5 m/s

Materials

Seal	Polyurethane
------	--------------

Assembly

- In closed grooves (A)
- In open grooves (B)

Advantages

- Excellent abrasion resistance
- Efficient sealing at low and high pressures
- Suitable for telescopic cylinders
- Suitable for small grooves
- Unaffected by sudden loads
- Do not use with double acting wipers without a drain hole between wiper and seal

Please contact us for applications approaching maximum values.

Pressure (MPa)	e (mm)	
	d ≤ 60 mm	d > 60 mm
5	≤ 0,4	≤ 0,5
10	≤ 0,3	≤ 0,4
20	≤ 0,2	≤ 0,3
30	≤ 0,15	≤ 0,2
40	≤ 0,1	≤ 0,15

d	D	L	Reference
80	88	9	STD-8088-2
	88	12,5	STD-8088-1
	90	8	STD-8090
90	90	13	STD-8090-1
	92	9,6	STD-8092
	95	12,5	STD-8095
	95	12,5	STD-8095
85	93	7,5	STD-8593-2
	93	9	STD-8593
	95	8	STD-8595
88	95	13	STD-8595-1
	97	9,5	STD-8597
	100	12,5	STD-85100
88,9	96	9	STD-8896
	97,3	9	STD-8897
90	98	9	STD-9098-1
	100	7,5	STD-90100
91	102	10	STD-90102
	105	12,5	STD-90105
	105	12,5	STD-90105
95	99	8,5	STD-9199-1
	99	9	STD-9199
98	103	9	STD-95103
	106,7	9	STD-98106
100	108	7,5	STD-100108-1
	108	8	STD-100108-3
	108	9	STD-100108-2
	108	12,5	STD-100108
	115	13	STD-100115
105	120	16	STD-100120-1
	113	9	STD-105113
	113	9	STD-105113
107	115	8,5	STD-107115-1
	115	9	STD-107115
	116,3	9	STD-107116
108	116	9	STD-108116

d	D	L	Reference
110	125	10,5	STD-110125-2
	125	12	STD-110125
112	127	13	STD-112127
	123	9	STD-115123
116	124,7	9	STD-116124
	128	12,5	STD-120128-1
120	140	13	STD-120140-1
	133	7,5	STD-125133-1
125	133	9	STD-125133
	134	9	STD-126134
126	135,3	9	STD-126135
	145	16	STD-130145
130	150	13	STD-130150
	143	9	STD-135143-1
135	143,7	9	STD-135143
	145	13	STD-135145
140	150	12,5	STD-140150
	160	12,5	STD-140160-2
145	153	9	STD-145153
	154,3	9	STD-145154
150	170	13	STD-150170
	162,7	9	STD-154162
160	170	13	STD-160170
	174,3	9	STD-165174
165	174,3	9	STD-165174
	180	11	STD-170180
170	180	11	STD-170180
	182,7	9	STD-174183
175	185	13	STD-175185
	180	13	STD-180200
180	200	13	STD-180200
	190,5	10	STD-183190
183	190,5	10	STD-183190
	196,3	9	STD-187196
190	210	13	STD-190210-1
	219,3	9	STD-210219
210	230	16	STD-210230-1