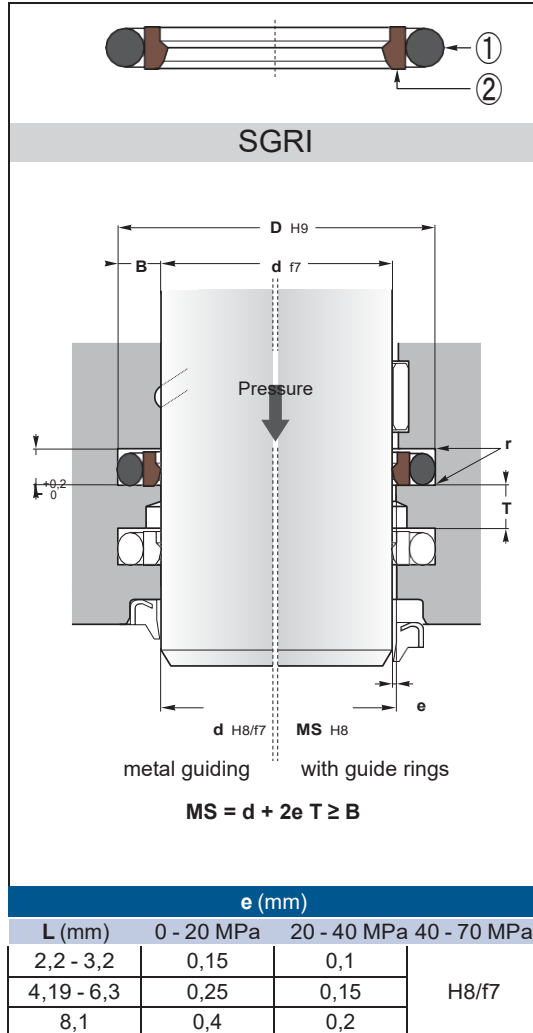




SGRI

**PTFE single acting rod seal
Inch dimensions**



SGRI rod seals are composed of a bronze-filled PTFE ring manufactured by machining technique combined with an O-ring that is used as an energising ring.

They are suitable for high sliding speeds due to the low friction force which is among one of the essential properties of PTFE material. Moreover, they can be used for different type of fluids by changing O-ring material.

Operating conditions

Pressure	≤ 50 MPa
Temperature	-30°C to 100°C
Speed	≤ 15 m/s

Materials

Energising element ①	NBR 70 Sh A
Dynamic sealing element ②	PT55

Assembly

O-ring and PTFE-ring may easily be mounted into the grooved housings (above 12 mm)

Advantages

- Optimal sealing in tandem system
- Suitable as a primary seal (buffer)
- Small sections
- High extrusion resistance and long service life
- Low break-out and running friction
- Compatibility with nearly all media due to the high chemical resistance of the sealing element and the wide selection of O-ring compounds

Please contact us for applications approaching maximum values.

SGRI-L: Light serie
SGRI-P: Heavy serie

d	D	L	O-ring NBR 70 Sh A	Reference
25,4	36,09	4,19	29,74 x 3,53	SGRI-1000
28,58	39,27	4,19	32,92 x 3,53	SGRI-1125
31,75	42,44	4,19	36,09 x 3,53	SGRI-1250
34,93	45,62	4,19	39,7 x 3,53	SGRI-1375
38,1	48,79	4,19	42,86 x 3,53	SGRI-L-1500
	53,19	6,3	43,82 x 5,34	SGRI-1500
44,45	55,14	4,19	49,2 x 3,53	SGRI-L-1750
	59,54	6,3	50,17 x 5,34	SGRI-1750
47,63	58,32	4,19	52,4 x 3,53	SGRI-1875
50,8	61,49	4,19	55,56 x 3,53	SGRI-L-2000
	65,89	6,3	56,52 x 5,34	SGRI-2000
53,98	64,67	4,19	58,75 x 3,53	SGRI-L-2125
57,15	67,84	4,19	61,9 x 3,53	SGRI-L-2250
	72,24	6,3	62,87 x 5,34	SGRI-2250
63,5	74,19	4,19	68,26 x 3,53	SGRI-L-2500
	78,59	6,3	69,22 x 5,34	SGRI-2500
66,68	81,76	6,3	72,39 x 5,34	SGRI-2625
69,85	80,54	4,19	74,6 x 3,53	SGRI-L-2750
	84,94	6,3	75,57 x 5,34	SGRI-2750
76,2	86,89	4,19	78,97 x 3,53	SGRI-3000
	91,29	6,3	81,92 x 5,34	SGRI-L-3000
82,55	97,64	6,3	88,27 x 5,34	SGRI-3250
88,9	99,59	4,19	91,67 x 3,53	SGRI-L-3500
	103,99	6,3	94,62 x 5,34	SGRI-3500
95,25	110,34	6,3	100,97 x 5,34	SGRI-3750
101,6	116,69	6,3	107,32 x 5,34	SGRI-4000