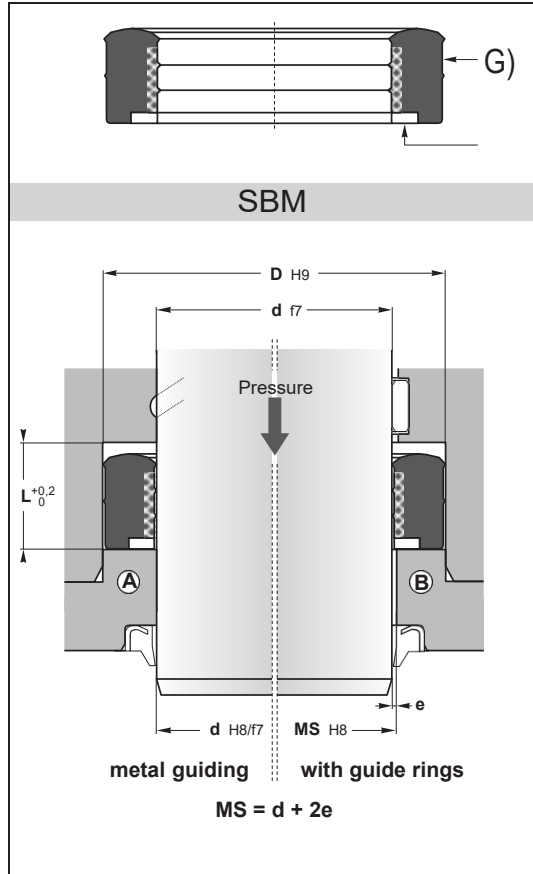
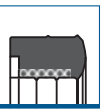


SBM

Fabric reinforced NBR compact rod seal



SBM compact rod seal has a great contact sealing surface in reinforced cotton fabric. To provide initial sealing under low pressure the inner surface has two sealing edges. Even with a worn piston rod the greater sealing surface continues to give good sealing.

The POM back-up ring even accepts relatively large clearance gaps.

Operating conditions

Pressure	≤ 25 MPa
Temperature	-30°C to 110°C
Speed	≤ 0,5 m/s

Materials

Sealing element ①	NBR fabric-reinforced inside
Anti-extrusion ring ②	Acetal resin

Assembly

In open grooves

Advantages

- Extrusion resistance at high pressure
- No housing adjustment necessary

Please contact us for applications approaching maximum values.

d (mm)	e (mm)
≤ 40	≤ 0,3
> 40	≤ 0,4

d	D	L	Reference
40	52	22,5	SBM-204157
50	65	22,5	SBM-255196
60	75	22,5	SBM-295236
70	85	22,5	SBM-334275
80	95	22,5	SBM-374314
90	105	22,5	SBM-413354
100	115	30	SBM-452393