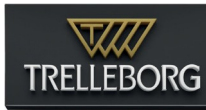
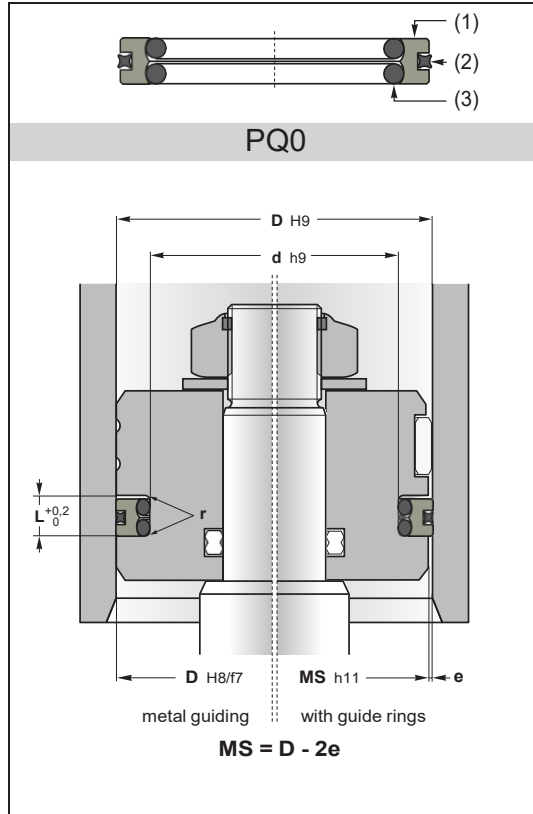
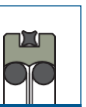


PQ0

Turcon® AQ-Seal® 5



HydraulicSeals24.com



**PQ0** Turcon® AQ-Seal® 5 is a patented development of the proven standard Turcon® AQ-Seal®. Two O-rings are used to energise the seal instead of one.

Turcon® AQ-Seal® 5 combines the benefits of a low-friction Turcon® slipper seal with the high sealing characteristics of an elastomeric seal by incorporating a X-ring seal in the dynamic sealing face. This optimises leakage control while minimising friction.

The particular characteristics of the AQ-Seal® 5 are the special seal profile with a defined seal edge and the use of two O-rings as energising elements to optimise the pressure profile and to reduce the force of attack at gas permeability.

**Operating conditions**

Pressure	Turcon® T46 : ≤ 50 MPa low lubricating media : ≤ 25 MPa
Temperature	-30°C to 100°C
Speed	≤ 3 m/s

**Materials**

Dynamic sealing element (1)	Turcon® T46 <b>NEW:</b> Turcon® M12
Dynamic sealing element (2)	NBR 70 Sh : Code N
Energising element (3)	NBR 70 Sh : Code N

**Assembly**

On one-piece pistons

**Advantages**

- High sealing effect in applications requiring media separation, e.g. fluid/fluid or fluid/gas
- Low running friction
- Excellent abrasion resistance
- Long service life
- Compatibility with nearly all media due to the high chemical resistance of the sealing element and the wide selection of O-ring compounds
- Simple groove design
- Large temperature range using the right O-ring and X-ring

**Please contact us for applications approaching maximum values.**

D	d	L	r	O-ring ③ 2 pieces NBR 70 Sh A	X-ring ② NBR 70 Sh A	ISO 3320	Reference
32	22	6,3	0,6	21,89 x 2,62	26,7 x 1,78	•	PQ0100320-T46N
40	30	6,3	0,6	29,82 x 2,62	34,65 x 1,78	•	PQ0100400-T46N
50	40	6,3	0,6	39,34 x 2,62	44,17 x 1,78	•	PQ0100500-T46N
55	45	6,3	0,6	44,12 x 2,62	50,52 x 1,78		PQ0100550-T46N
60	50	6,3	0,6	48,90 x 2,62	53,70 x 1,78		PQ0100600-T46N
63	53	6,3	0,6	52,07 x 2,62	56,87 x 1,78	•	PQ0100630-T46N
70	60	6,3	0,6	58,42 x 2,62	63,22 x 1,78		PQ0100700-T46N
80	67	8,3	1	66,27 x 3,53	71,12 x 2,62	•	PQ0200800-T46N
90	77	8,3	1	75,79 x 3,53	82,22 x 2,62		PQ0200900-T46N
100	87	8,3	1	85,32 x 3,53	88,57 x 2,62	•	PQ0201000-T46N
110	97	8,3	1	94,84 x 3,53	101,27 x 2,62		PQ0201100-T46N
120	107	8,3	1	104,37 x 3,53	107,62 x 2,62		PQ0201200-T46N
125	112	8,3	1	110,72 x 3,53	113,97 x 2,62	•	PQ0201250-T46N
130	117	8,3	1	113,89 x 3,53	120,32 x 2,62		PQ0201300-T46N
140	122	12,3	1,3	120,02 x 5,34	126,59 x 3,53		PQ0301400-T46N
150	132	12,3	1,3	129,54 x 5,34	136,12 x 3,53		PQ0301500-T46N
160	142	12,3	1,3	139,07 x 5,34	145,64 x 3,53	•	PQ0301600-T46N
170	152	12,3	1,3	148,49 x 5,34	158,34 x 3,53		PQ0301700-T46N
180	162	12,3	1,3	158,12 x 5,34	164,69 x 3,53		PQ0301800-T46N
200	182	12,3	1,3	177,17 x 5,34	183,74 x 3,53	•	PQ0302000-T46N
220	202	12,3	1,3	196,22 x 5,34	202,79 x 3,53		PQ0302200-T46N
230	212	12,3	1,3	208,92 x 5,34	215,49 x 3,53		PQ0302300-T46N
240	222	12,3	1,3	221,62 x 5,34	221,84 x 3,53	•	PQ0302400-T46N
250	232	12,3	1,3	227,97 x 5,34	234,54 x 3,53	•	PQ0302500-T46N
280	262	12,3	1,3	253,37 x 5,34	266,29 x 3,53		PQ0302800-T46N
300	282	12,3	1,3	278,77 x 5,34	278,99 x 3,53		PQ0303000-T46N
320	302	12,3	1,3	291,47 x 5,34	304,39 x 3,53	•	PQ0303200-T46N
360	342	12,3	1,3	329,57 x 5,34	329,79 x 3,53		PQ0303600-T46N
540	509	16,3	1,8	506,86 x 7	506,81 x 5,34		PQ0405400-T46N

Serie	D (mm)		d (mm)	L (mm)	r (mm)	e (mm)				O-ring ③	QR ②
	Recommended range	Extended range				10 MPa	20 MPa	30 MPa	50 MPa		
PQ01	40 → 79,9	25 → 140	D - 10	6,3	0,6	≤ 0,3	≤ 0,2	≤ 0,15	H8/f8	2,62	1,78
PQ02	80 → 132,9	50 → 250	D - 13	8,3	1	≤ 0,4	≤ 0,3	≤ 0,15		3,53	2,63
PQ03	133 → 462,9	100 → 480	D - 18	12,3	1,3	≤ 0,4	≤ 0,3	≤ 0,2		5,33	3,53
PQ04	463 → 700	425 → 700	D - 31	16,3	1,8	≤ 0,5	≤ 0,4	≤ 0,3		7	5,33