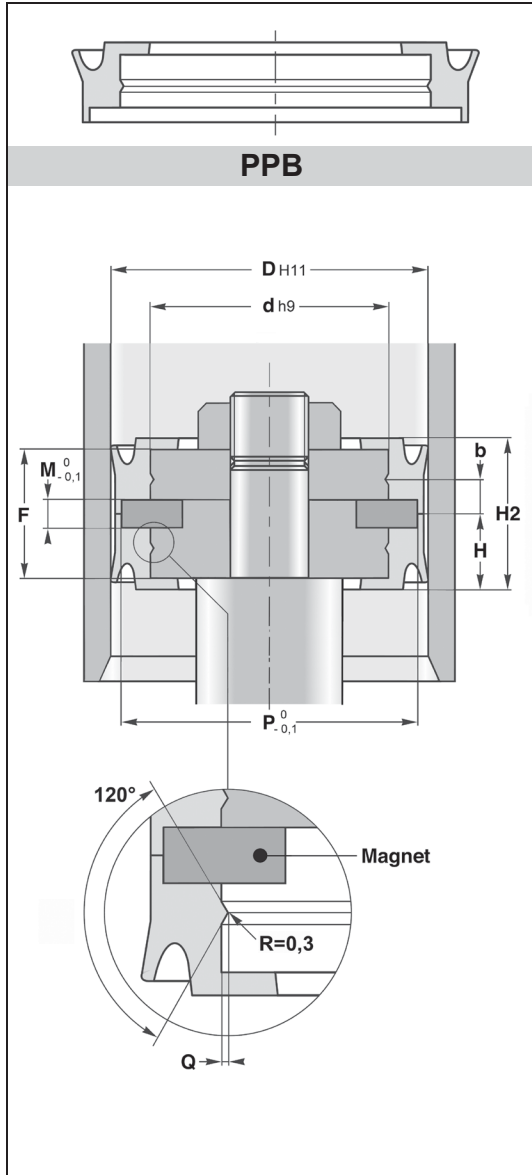




PPB



Operating conditions

Pressure	up to 2 MPa
Temperature	-30°C to + 90°C
Speed	1 m/s

Materials

Standard	Polyurethane 90 Sh A
Alternative	Polyurethane 85 Sh A

Assembly

Eliminate any cutting edges and flash in the housing to permit assembly and prevent damage to the seals during mounting. A lead-in chamfer should be present for easy installation.

Please contact us for applications approaching maximum values.

D	d	P	H	H2	M	Q	b	F	Reference
32	26	29,5	7	14	3	0,5	4	11	PPB-32
32	26	29,5	7	14	5	0,5	4	11	PPB-32-2
40	34	37,5	7,25	14,5	5	0,5	4,25	12	PPB-40
50	43	46,5	7,25	14,5	5	0,6	4,25	12	PPB-50
63	55	59,5	10	20	5	0,8	6	17	PPB-63
80	72	76,5	11	22	5	0,8	6,5	19	PPB-80
100	90	96,5	13	26	5	0,8	7,5	22	PPB-100