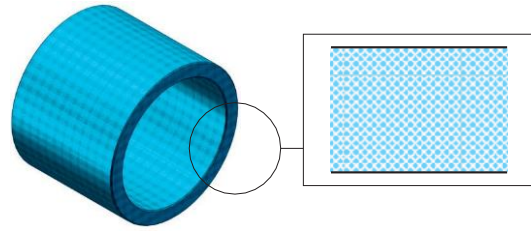
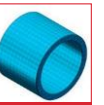


GL15N

Low friction composite bushings



Polyester fabric
Polyester resin + PTFE

GL15N are composite bearings consisting of synthetic fabrics impregnated with thermosetting resins, evenly dispersed solid lubricants and other additives.

GL15N bushings offer significant advantages over traditional metal bearings. All are dimensionally stable, have excellent wear resistance and outstanding low-friction characteristics, giving them unrivalled performance in dry running conditions or with boundary lubrication.

With virtually no swell in seawater, they are ideal for marine and hydropower applications.

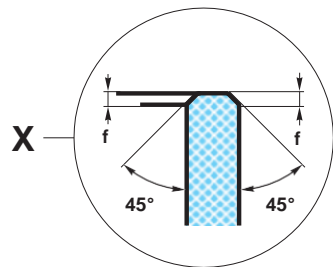
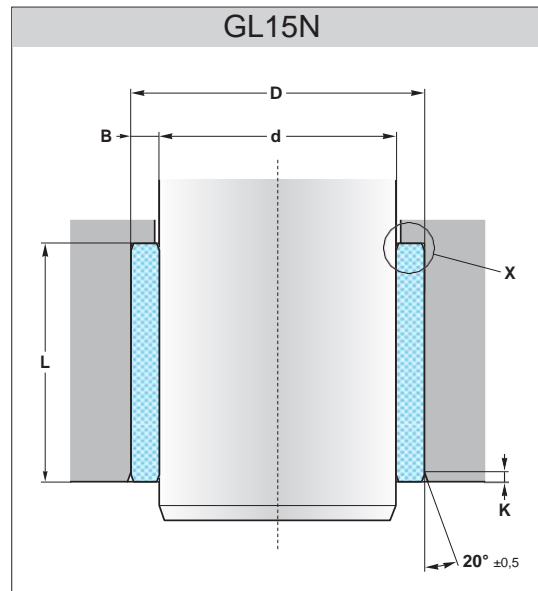
Technical specification

Temperature	- 200 to + 130°C
Friction coefficient	0,02 to 0,2
Maximum load	
Dynamic	70 N/mm ²
Static	200 N/mm ²
Maximum speed	
Dry	2 m/s
With grease	5 m/s
In hydrodynamic working	5 m/s
PV-factor	
Dry	1 N/mm ² . m/s
With grease	2,5 N/mm ² . m/s
Shaft roughness	Ra < 0,8 µm
Shaft hardness	HB > 200

Advantages

- Maintenance-free operation
- Light weight
- Shock and vibration proof
- High loads
- Good friction characteristics
- Low clearance during operation
- Slight water absorption (< 0,1 %)
- Good corrosion resistance
- Good chemical resistance

Please contact us for applications approaching maximum values.



D	K
< 50	0,8 ±0,3
50 < 150	1,5 ±0,5
> 150	2,5 ±1

d	f
< 60	0,5
60 < 89,9	0,8
≥ 90	1

Tolerances

d	D	L
f7 / g8	H7	j13

d	D	L	Reference
20	26	20	GL15N-2020
	26	30	GL15N-2030
25	31	30	GL15N-2530
	31	40	GL15N-2540
30	36	20	GL15N-3020
	36	30	GL15N-3030
	36	40	GL15N-3040
35	41	30	GL15N-3530
	41	40	GL15N-3540
	41	50	GL15N-3550
40	48	30	GL15N-4030
	48	40	GL15N-4040
	48	60	GL15N-4060
45	53	30	GL15N-4530
	53	40	GL15N-4540
	53	60	GL15N-4560
50	58	40	GL15N-5040
	58	50	GL15N-5050
	58	60	GL15N-5060
55	63	40	GL15N-5540
	63	50	GL15N-5550
	63	70	GL15N-5570
60	70	40	GL15N-6040
	70	60	GL15N-6060
	70	80	GL15N-6080
65	75	50	GL15N-6550
	75	60	GL15N-6560
	75	80	GL15N-6580
70	80	50	GL15N-7050
	80	70	GL15N-7070
	80	80	GL15N-7080
75	80	90	GL15N-7090
	85	50	GL15N-7550
	85	70	GL15N-7570
80	85	90	GL15N-7590
	90	60	GL15N-8060
	90	80	GL15N-8080
90	90	100	GL15N-80100

d	D	L	Reference
85	95	60	GL15N-8560
	95	80	GL15N-8580
	95	100	GL15N-85100
90	105	60	GL15N-9060
	105	80	GL15N-9080
	105	120	GL15N-90120
95	110	60	GL15N-9560
	110	100	GL15N-95100
	110	120	GL15N-95120
100	115	80	GL15N-10080
	115	100	GL15N-100100
	115	120	GL15N-100120
110	125	80	GL15N-11080
	125	100	GL15N-110100
	125	120	GL15N-110120
120	135	100	GL15N-120100
	135	120	GL15N-120120
	135	150	GL15N-120150