

**BTC** is a cut back-up ring with a rectangular cross section. The standard materials are PTFE, POM or PA. Other materials are also possible. It can work in **static** and **dynamic** applications and is preferred for installations in closed grooves where uncut back-up rings are not suitable.

It's also used in reciprocating and rotating movements.

**Operating conditions**

Pressure	≤ 50 MPa
Temperature	-60°C to 200°C
Speed	≤ 0,5 m/s

**Materials**

PT01, POM, PA

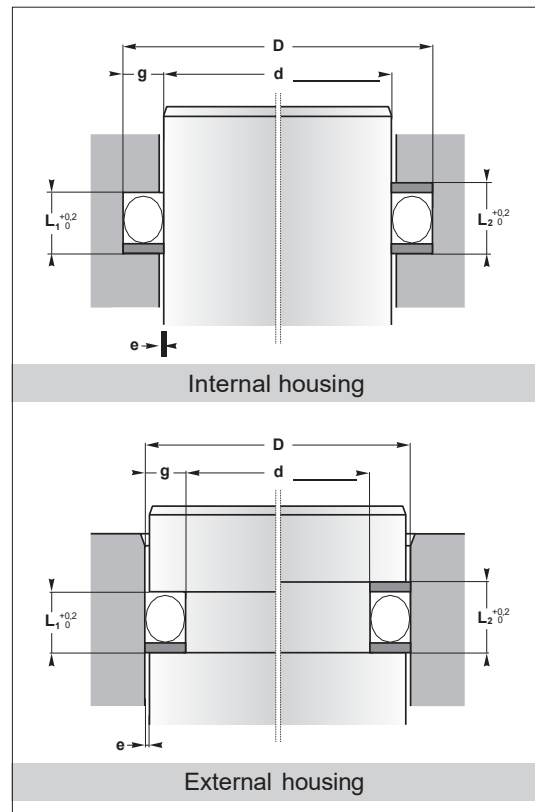
**Assembly**

In one-piece (A) or two-piece (B) housings  
On one-piece (A) or multi-piece (B) pistons

**Advantages**

Provides an efficient solution against the extrusion of the seal  
Generally the radial clearance **e** can be increased  
Good price-performance ratio and simple solution

**Please contact us for applications approaching maximum values.**



D	d	E	Reference
22	17	1,4	BTC-022017-PT01
33	25	1,2	BTC-033025-POM
38,1	28,57	1,8	BTC-038028-PA
45	40	1,35	BTC-045040-PT01
48	40	1,2	BTC-048040-POM
50	40	3	BTC-050040-PA
50,8	38,1	7	BTC-050038-POM
55	40	3	BTC-055040-PA
	42	2	BTC-055042-PT01
60	45	3	BTC-060045-PA
	50	3	BTC-060050-PA
63	50	3	BTC-063050-PA
63,5	50,8	7	BTC-063050-POM
65	50	3	BTC-065050-PA
	55	3	BTC-065055-PA
68	55	3	BTC-068055-PA
	60	3	BTC-068060-PA
70	55	3	BTC-070055-PA
	60	3	BTC-070060-PA
71	55	3	BTC-071055-PA
73	60	3	BTC-073060-PA
	68	1,4	BTC-073068-PT01
75	60	3	BTC-075060-PA
	65	3	BTC-075065-PA
78	65	3	BTC-078065-PA
79,9	71,5	1,2	BTC-079071-PT01
80	65	3	BTC-080065-PA
	70	3	BTC-080070-PA
81	72,4	1,7	BTC-081072-PT01
82,55	63,5	3,6	BTC-082063-1-POM
	69,85	1,8	BTC-082069-PA
83	70	3	BTC-083070-PA

D	d	E	Reference
85	70	3	BTC-085070-PA
	75	3	BTC-085075-PA
88	75	3	BTC-088075-PA
90	70	3	BTC-090070-PA
	75	3	BTC-090075-PA
	80	3	BTC-090080-PA
	84,6	1,4	BTC-090084-PT01
93	80	3	BTC-093080-PA
95	75	3	BTC-095075-PA
	80	3	BTC-095080-PA
95,25	76,2	3,8	BTC-095076-POM
100	80	3	BTC-100080-PA
	85	3	BTC-100085-PA
101	92,4	1,7	BTC-101092-PT01
101,6	88,9	1,8	BTC-101088-PA
105	85	3	BTC-105085-PA
	90	3	BTC-105090-PA
	95	3	BTC-105095-PA
107,95	88,9	3,6	BTC-107088-POM
110	90	3	BTC-110090-PA
	95	3	BTC-110095-PA
111	102,4	1,7	BTC-111102-PT01
114,3	101,6	1,9	BTC-114101-PA
115	95	3	BTC-115095-PA
	100	3	BTC-115100-PA
	109,6	1,4	BTC-115109-PT01
120	100	3	BTC-120100-PA
	105	3	BTC-120105-PA
120,2	112,2	1,7	BTC-120112-PT01
125	105	3	BTC-125105-PA
	110	3	BTC-125110-PA
130	110	3	BTC-130110-PA
	115	3	BTC-130115-PA
131	122,4	1,7	BTC-131122-PT01



**BTC** is a cut back-up ring with a rectangular cross section. The standard materials are PTFE, POM or PA. Other materials are also possible. It can work in **static** and **dynamic** applications and is preferred for installations in closed grooves where uncut back-up rings are not suitable.

It's also used in reciprocating and rotating movements.

**Operating conditions**

Pressure  $\leq 50$  MPa  
Temperature  $-60^{\circ}\text{C}$  to  $200^{\circ}\text{C}$   
Speed  $\leq 0,5$  m/s

**Materials**

PT01, POM, PA

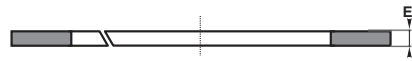
**Assembly**

In one-piece (A) or two-piece (B) housings  
On one-piece (A) or multi-piece (B) pistons

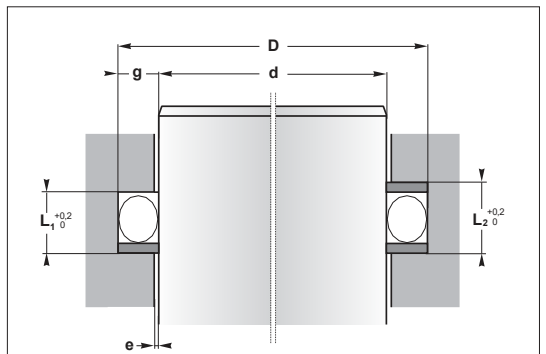
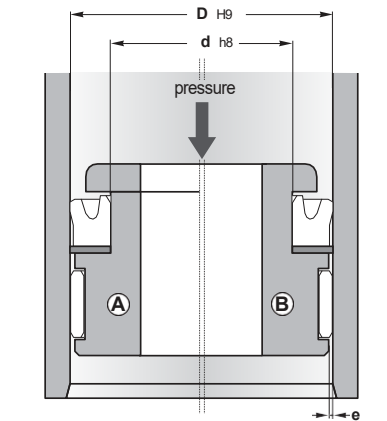
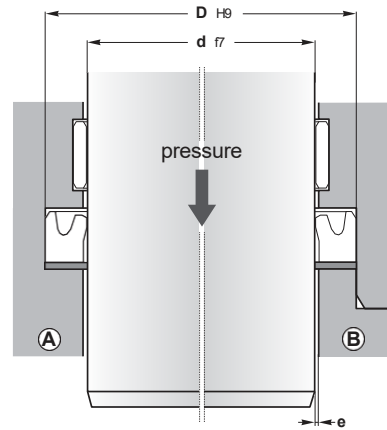
**Advantages**

Provides an efficient solution against the extrusion of the seal  
Generally the radial clearance **e** can be increased  
Good price-performance ratio and simple solution

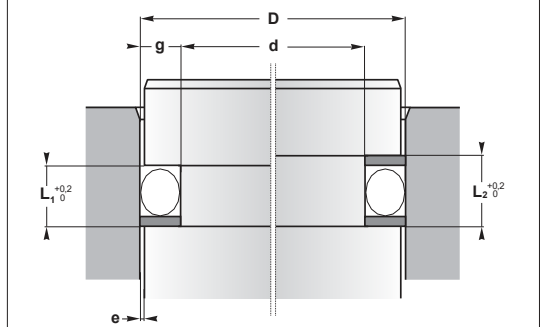
**Please contact us for applications approaching maximum values.**



BTC



Internal housing



External housing

D	d	E	Reference
133,35	120,65	1,8	BTC-133120-PA
135	115	3	BTC-135115-PA
	120	3	BTC-135120-PA
140	120	3	BTC-140120-PA
141	132,4	1,7	BTC-141132-PT01
145	130	3	BTC-145130-PA
150	130	3	BTC-150130-PA
151	142,4	1,7	BTC-151142-PT01
152	133,36	3,6	BTC-152133-1-POM
152,4	133,36	5,8	BTC-152133-POM
160	140	3	BTC-160140-PA
161	152,4	1,7	BTC-161152-PT01
177,8	158,75	3,8	BTC-177158-POM
180	160	4	BTC-180160-PA
181	172,4	1,7	BTC-181172-PT01
203,2	177,8	7	BTC-203177-POM