

## DESCRIPTION

AM is a single-acting elastomer wiper with an external metal cage for open groove assembly. The metal cage has to be pressed into the groove.

The function of AM-wiper is to prevent introduction of dust, dirt and foreign matter into the system, to protect the guiding parts and to extend the service life of the rod seal. The nitrile elastomer wiper lip produces an effective cleaning action to avoid damage to all internal components.







## ADVANTAGES

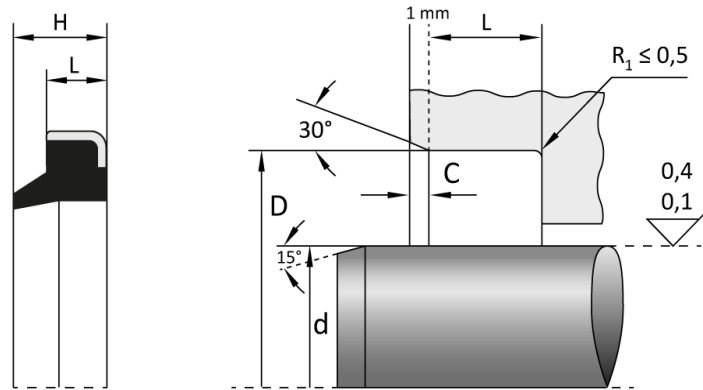
- Space-saving construction
- Low cost, economical solution
- Simple, easy-construction groove
- Firm fit in the groove due to metallic press fit

## APPLICATION

- Standard cylinder
- Construction machinery
- Fork lifts
- Injection moulding machines
- Hydraulic presses
- Agricultural machinery

## TECHNICAL DATA

|   |             |   |
|---|-------------|---|
|  | Speed       | < 0,8 m/s   |
|  | Temperature | -30° C to + 100° C  |
|  | Fluids      | Mineral oil based hydraulic fluids. polyglycol-water emulsions, water-oil emulsions |
|  | Material    | Metal cage: Carbon steel<br>Wiper: NBR  |



## DIMENSIONS

| Seals24 No. | Dimension                    | Ød<br>h9 | ØD<br>H8 | L<br>+0,2 | H    |
|-------------|------------------------------|----------|----------|-----------|------|
| AM-0613-3   | 6,00 X 13,00 X 3,00 / 4,50   | 6        | 13,0     | 3,0       | 4,5  |
| AM-0815-3   | 8,00 X 15,00 X 3,00 / 5,00   | 8        | 15,0     | 3,0       | 5,0  |
| AM-1016-3   | 10,00 X 16,00 X 3,00 / 4,50  | 10       | 16,0     | 3,0       | 4,5  |
| AM-1018-5   | 10,00 X 18,00 X 5,00 / 8,00  | 10       | 18,0     | 5,0       | 8,0  |
| AM-1019-3   | 10,00 X 18,90 X 2,90 / 5,00  | 10       | 18,9     | 29,0      | 5,0  |
| AM-1020-5   | 10,00 X 20,00 X 5,00 / 8,00  | 10       | 20,0     | 5,0       | 8,0  |
| AM-1218-3   | 12,00 X 18,00 X 3,50 / 5,00  | 12       | 18,0     | 35,0      | 5,0  |
| AM-1220-4   | 12,00 X 20,00 X 4,00 / 6,00  | 12       | 20,0     | 4,0       | 6,0  |
| AM-1222-5   | 12,00 X 22,00 X 5,00 / 8,00  | 12       | 22,0     | 5,0       | 8,0  |
| AM-1420-3   | 14,00 X 20,00 X 3,50 / 5,00  | 14       | 20,0     | 35,0      | 5,0  |
| AM-1422-3   | 14,00 X 22,00 X 3,00 / 4,00  | 14       | 22,0     | 3,0       | 4,0  |
| AM-1425-5   | 14,00 X 25,00 X 5,00 / 8,00  | 14       | 25,0     | 5,0       | 8,0  |
| AM-1521-3   | 15,00 X 21,00 X 3,50 / 5,00  | 15       | 21,0     | 3,5       | 5,0  |
| AM-1622-3   | 16,00 X 22,00 X 3,00 / 4,00  | 16       | 22,0     | 3,0       | 4,0  |
| AM-1624-5   | 16,00 X 24,00 X 5,00 / 8,00  | 16       | 24,0     | 5,0       | 8,0  |
| AM-1626-5   | 16,00 X 26,00 X 5,00 / 8,00  | 16       | 26,0     | 5,0       | 8,0  |
| AM-1828-5   | 18,00 X 28,00 X 5,00 / 7,00  | 18       | 28,0     | 5,0       | 7,0  |
| AM-1828-7   | 18,00 X 28,00 X 7,00 / 10,00 | 18       | 28,0     | 7,0       | 10,0 |
| AM-2026-3   | 20,00 X 26,00 X 3,50 / 5,00  | 20       | 26,0     | 3,5       | 5,0  |
| AM-2028-3   | 20,00 X 28,00 X 3,50 / 5,00  | 20       | 28,0     | 3,5       | 5,0  |
| AM-2028-5   | 20,00 X 28,00 X 5,00 / 8,00  | 20       | 28,0     | 5,0       | 8,0  |
| AM-2030-4   | 20,00 X 30,00 X 4,00 / 6,00  | 20       | 30,0     | 4,0       | 6,0  |
| AM-2030-5   | 20,00 X 30,00 X 5,00 / 8,00  | 20       | 30,0     | 5,0       | 8,0  |

## DIMENSIONS

| Seals24 No. | Dimension                    | Ød<br>h9 | ØD<br>H8 | L<br>+0,2 | H    |
|-------------|------------------------------|----------|----------|-----------|------|
| AM-2030-7   | 20,00 X 30,00 X 7,00 / 10,00 | 20       | 30,0     | 7,0       | 10,0 |
| AM-2032-7   | 20,00 X 32,00 X 7,00 / 10,00 | 20       | 32,0     | 7,0       | 10,0 |
| AM-2035-7   | 20,00 X 35,00 X 7,00 / 10,00 | 20       | 35,0     | 7,0       | 10,0 |
| AM-2228-5   | 22,00 X 28,00 X 5,00 / 8,00  | 22       | 28,0     | 5,0       | 8,0  |
| AM-2230-4   | 22,00 X 30,00 X 4,00 / 7,00  | 22       | 30,0     | 4,0       | 7,0  |
| AM-2232-5   | 22,00 X 32,00 X 5,00 / 7,00  | 22       | 32,0     | 5,0       | 7,0  |
| AM-2232-7   | 22,00 X 32,00 X 7,00 / 10,00 | 22       | 32,0     | 7,0       | 10,0 |
| AM-2235-5   | 22,00 X 35,00 X 5,00 / 8,00  | 22       | 35,0     | 5,0       | 8,0  |
| AM-2432-5   | 24,00 X 32,00 X 5,00 / 7,00  | 24       | 32,0     | 5,0       | 7,0  |
| AM-2532-5   | 25,00 X 32,00 X 5,00 / 7,00  | 25       | 32,0     | 5,0       | 7,0  |
| AM-2535-5   | 25,00 X 35,00 X 5,00 / 8,00  | 25       | 35,0     | 5,0       | 8,0  |
| AM-2535-7   | 25,00 X 35,00 X 7,00 / 10,00 | 25       | 35,0     | 7,0       | 10,0 |
| AM-2838-5   | 28,00 X 38,00 X 5,00 / 8,00  | 28       | 38,0     | 5,0       | 8,0  |
| AM-2838-7   | 28,00 X 38,00 X 7,00 / 10,00 | 28       | 38,0     | 7,0       | 10,0 |
| AM-2840-7   | 28,00 X 40,00 X 7,00 / 10,00 | 28       | 40,0     | 7,0       | 10,0 |
| AM-3036-5   | 30,00 X 36,00 X 5,00 / 8,00  | 30       | 36,0     | 5,0       | 8,0  |
| AM-3040-5   | 30,00 X 40,00 X 5,00 / 8,00  | 30       | 40,0     | 5,0       | 8,0  |
| AM-3040-7   | 30,00 X 40,00 X 7,00 / 10,00 | 30       | 40,0     | 7,0       | 10,0 |
| AM-3042-5   | 30,00 X 42,00 X 5,00 / 8,00  | 30       | 42,0     | 5,0       | 8,0  |
| AM-3045-5   | 30,00 X 45,00 X 5,00 / 8,00  | 30       | 45,0     | 5,0       | 8,0  |
| AM-3240-4   | 32,00 X 40,00 X 4,00 / 7,00  | 32       | 40,0     | 4,0       | 7,0  |
| AM-3242-5   | 32,00 X 42,00 X 5,00 / 7,00  | 32       | 42,0     | 5,0       | 7,0  |
| AM-3242-7   | 32,00 X 42,00 X 7,00 / 10,00 | 32       | 42,0     | 7,0       | 10,0 |
| AM-3245-4   | 32,00 X 45,00 X 4,00 / 8,00  | 32       | 45,0     | 4,0       | 8,0  |
| AM-3245-7   | 32,00 X 45,00 X 7,00 / 10,00 | 32       | 45,0     | 7,0       | 10,0 |
| AM-3343-5   | 33,00 X 43,00 X 5,00 / 8,00  | 33       | 43,0     | 5,0       | 8,0  |
| AM-3545-5   | 35,00 X 45,00 X 5,00 / 8,00  | 35       | 45,0     | 5,0       | 8,0  |
| AM-3545-7   | 35,00 X 45,00 X 7,00 / 10,00 | 35       | 45,0     | 7,0       | 10,0 |
| AM-3547-7   | 35,00 X 47,00 X 7,00 / 10,00 | 35       | 47,0     | 7,0       | 10,0 |
| AM-3645-7   | 36,00 X 45,00 X 7,00 / 10,00 | 36       | 45,0     | 7,0       | 10,0 |
| AM-3646-5   | 36,00 X 46,00 X 5,00 / 8,00  | 36       | 46,0     | 5,0       | 8,0  |
| AM-3646-7   | 36,00 X 46,00 X 7,00 / 10,00 | 36       | 46,0     | 7,0       | 10,0 |
| AM-3747-5   | 37,00 X 47,00 X 5,00 / 8,00  | 37       | 47,0     | 5,0       | 8,0  |
| AM-3848-7   | 38,00 X 48,00 X 7,00 / 10,00 | 38       | 48,0     | 7,0       | 10,0 |
| AM-4046-5   | 40,00 X 46,00 X 5,00 / 8,00  | 40       | 46,0     | 5,0       | 8,0  |
| AM-4050-5   | 40,00 X 50,00 X 5,00 / 8,00  | 40       | 50,0     | 5,0       | 8,0  |
| AM-4050-7   | 40,00 X 50,00 X 7,00 / 10,00 | 40       | 50,0     | 7,0       | 10,0 |

## DIMENSIONS

| Seals24 No. | Dimension                    | Ød<br>h9 | ØD<br>H8 | L<br>+0,2 | H    |
|-------------|------------------------------|----------|----------|-----------|------|
| AM-4052-5   | 40,00 X 52,00 X 5,00 / 8,00  | 40       | 52,0     | 5,0       | 8,0  |
| AM-4052-7   | 40,00 X 52,00 X 7,00 / 10,00 | 40       | 52,0     | 7,0       | 10,0 |
| AM-4252-7   | 42,00 X 52,00 X 7,00 / 10,00 | 42       | 52,0     | 7,0       | 10,0 |
| AM-4553-5   | 45,00 X 53,00 X 5,00 / 7,00  | 45       | 53,0     | 5,0       | 7,0  |
| AM-4555-7   | 45,00 X 55,00 X 7,00 / 10,00 | 45       | 55,0     | 7,0       | 10,0 |
| AM-4560-7   | 45,00 X 60,00 X 7,00 / 10,00 | 45       | 60,0     | 7,0       | 10,0 |
| AM-4860-7   | 48,00 X 60,00 X 7,00 / 10,00 | 48       | 60,0     | 7,0       | 10,0 |
| AM-5056-5   | 50,00 X 56,00 X 5,00 / 8,00  | 50       | 56,0     | 5,0       | 8,0  |
| AM-5060-5   | 50,00 X 60,00 X 5,00 / 7,00  | 50       | 60,0     | 5,0       | 7,0  |
| AM-5060-7   | 50,00 X 60,00 X 7,00 / 10,00 | 50       | 60,0     | 7,0       | 10,0 |
| AM-5065-5   | 50,00 X 65,00 X 5,00 / 8,00  | 50       | 65,0     | 5,0       | 8,0  |
| AM-5065-7   | 50,00 X 65,00 X 7,00 / 10,00 | 50       | 65,0     | 7,0       | 10,0 |
| AM-5262-7   | 52,00 X 62,00 X 7,00 / 10,00 | 52       | 62,0     | 7,0       | 10,0 |
| AM-5563-7   | 55,00 X 63,00 X 7,00 / 10,00 | 55       | 63,0     | 7,0       | 10,0 |
| AM-5565-7   | 55,00 X 65,00 X 7,00 / 10,00 | 55       | 65,0     | 7,0       | 10,0 |
| AM-5570-7   | 55,00 X 70,00 X 7,00 / 10,00 | 55       | 70,0     | 7,0       | 10,0 |
| AM-5580-5   | 55,00 X 80,00 X 5,00 / 8,00  | 55       | 80,0     | 5,0       | 8,0  |
| AM-5665-7   | 56,00 X 65,00 X 7,00 / 10,00 | 56       | 65,0     | 7,0       | 10,0 |
| AM-5666-5   | 56,00 X 66,00 X 5,00 / 8,00  | 56       | 66,0     | 5,0       | 8,0  |
| AM-5666-7   | 56,00 X 66,00 X 7,00 / 10,00 | 56       | 66,0     | 7,0       | 10,0 |
| AM-6070-5   | 60,00 X 70,00 X 5,00 / 7,00  | 60       | 70,0     | 5,0       | 7,0  |
| AM-6070-7   | 60,00 X 70,00 X 7,00 / 10,00 | 60       | 70,0     | 7,0       | 10,0 |
| AM-6074-5   | 60,00 X 74,00 X 5,00 / 8,00  | 60       | 74,0     | 5,0       | 8,0  |
| AM-6075-7   | 60,00 X 75,00 X 7,00 / 10,00 | 60       | 75,0     | 7,0       | 10,0 |
| AM-6080-7   | 60,00 X 80,00 X 7,00 / 10,00 | 60       | 80,0     | 7,0       | 10,0 |
| AM-6375-7   | 63,00 X 75,00 X 7,00 / 10,00 | 63       | 75,0     | 7,0       | 10,0 |
| AM-6378-7   | 63,00 X 78,00 X 7,00 / 10,00 | 63       | 78,0     | 7,0       | 10,0 |
| AM-6575-7   | 65,00 X 75,00 X 7,00 / 10,00 | 65       | 75,0     | 7,0       | 10,0 |
| AM-7080-5   | 70,00 X 80,00 X 5,00 / 7,00  | 70       | 80,0     | 5,0       | 7,0  |
| AM-7080-7   | 70,00 X 80,00 X 7,00 / 10,00 | 70       | 80,0     | 7,0       | 10,0 |
| AM-7585-7   | 75,00 X 85,00 X 7,00 / 10,00 | 75       | 85,0     | 7,0       | 10,0 |
| AM-7587-5   | 75,00 X 87,00 X 5,00 / 7,00  | 75       | 87,0     | 5,0       | 7,0  |
| AM-8090-7   | 80,00 X 90,00 X 7,00 / 10,00 | 80       | 90,0     | 7,0       | 10,0 |
| AM-8095-7   | 80,00 X 95,00 X 7,00 / 10,00 | 80       | 95,0     | 7,0       | 10,0 |
| AM-8494-5   | 84,00 X 94,00 X 5,00 / 8,00  | 84       | 94,0     | 5,0       | 8,0  |
| AM-8595-7   | 85,00 X 95,00 X 7,00 / 10,00 | 85       | 95,0     | 7,0       | 10,0 |
| AM-90100-5  | 90,00 X 100,00 X 5,00 / 7,00 | 90       | 100,0    | 5,0       | 7,0  |

## DIMENSIONS

| Seals24 No.  | Dimension                       | Ød<br>h9 | ØD<br>H8 | L<br>+0,2 | H    |
|--------------|---------------------------------|----------|----------|-----------|------|
| AM-90100-7   | 90,00 X 100,00 X 7,00 / 10,00   | 90       | 100,0    | 7,0       | 10,0 |
| AM-95105-7   | 95,00 X 105,00 X 7,00 / 10,00   | 95       | 105,0    | 7,0       | 10,0 |
| AM-100110-5  | 100,00 X 110,00 X 5,00 / 7,00   | 100      | 110,0    | 5,0       | 7,0  |
| AM-100110-7  | 100,00 X 110,00 X 7,00 / 10,00  | 100      | 110,0    | 7,0       | 10,0 |
| AM-105115-7  | 105,00 X 115,00 X 7,00 / 10,00  | 105      | 115,0    | 7,0       | 10,0 |
| AM-110120-7  | 110,00 X 120,00 X 7,00 / 10,00  | 110      | 120,0    | 7,0       | 10,0 |
| AM-115125-7  | 115,00 X 125,00 X 7,00 / 10,00  | 115      | 125,0    | 7,0       | 10,0 |
| AM-120130-7  | 120,00 X 130,00 X 7,00 / 10,00  | 120      | 130,0    | 7,0       | 10,0 |
| AM-120135-7  | 120,00 X 135,00 X 7,00 / 10,00  | 120      | 135,0    | 7,0       | 10,0 |
| AM-125135-7  | 125,00 X 135,00 X 7,00 / 10,00  | 125      | 135,0    | 7,0       | 10,0 |
| AM-125140-7  | 125,00 X 140,00 X 7,00 / 10,00  | 125      | 140,0    | 7,0       | 10,0 |
| AM-125140-9  | 125,00 X 140,00 X 9,00 / 12,00  | 125      | 140,0    | 9,0       | 12,0 |
| AM-130145-9  | 130,00 X 145,00 X 9,00 / 12,00  | 130      | 145,0    | 9,0       | 12,0 |
| AM-135145-7  | 135,00 X 145,00 X 7,00 / 10,00  | 135      | 145,0    | 7,0       | 10,0 |
| AM-135150-9  | 135,00 X 150,00 X 9,00 / 12,00  | 135      | 150,0    | 9,0       | 12,0 |
| AM-140150-7  | 140,00 X 150,00 X 7,00 / 10,00  | 140      | 150,0    | 7,0       | 10,0 |
| AM-140155-9  | 140,00 X 155,00 X 9,00 / 12,00  | 140      | 155,0    | 9,0       | 12,0 |
| AM-150165-9  | 150,00 X 165,00 X 9,00 / 12,00  | 150      | 165,0    | 9,0       | 12,0 |
| AM-150166-8  | 150,00 X 166,00 X 8,00 / 12,00  | 150      | 166,0    | 8,0       | 12,0 |
| AM-152171-5  | 152,40 X 171,45 X 7,80 / 12,00  | 152,4    | 171,5    | 7,8       | 12,0 |
| AM-160175-9  | 160,00 X 175,00 X 9,00 / 12,00  | 160      | 175,0    | 9,0       | 12,0 |
| AM-170185-10 | 170,00 X 185,00 X 10,00 / 14,00 | 170      | 185,0    | 10,0      | 14,0 |
| AM-180195-10 | 180,00 X 195,00 X 10,00 / 14,00 | 180      | 195,0    | 10,0      | 14,0 |
| AM-200220-12 | 200,00 X 220,00 X 12,00 / 16,00 | 200      | 220,0    | 12,0      | 16,0 |
| AM-220240-12 | 220,00 X 240,00 X 12,00 / 16,00 | 220      | 240,0    | 12,0      | 16,0 |
| AM-225250-12 | 225,00 X 250,00 X 12,00 / 16,00 | 225      | 250,0    | 12,0      | 16,0 |
| AM-250270-12 | 250,00 X 270,00 X 12,00 / 16,00 | 250      | 270,0    | 12,0      | 16,0 |

If you cannot find the required dimensions, please contact us.

## Please Note

---

The listed values represent maximum limits and cannot all be applied simultaneously. For instance, the permissible operating speed is influenced by factors such as material, pressure, temperature, and clearance. Likewise, the applicable temperature range varies depending on the medium.

All statements, technical data, and other information contained in this document are provided without warranty and are intended solely as general, non-binding guidance. While prepared with due care, no express or implied representation, guarantee, or warranty is made regarding their accuracy, completeness, timeliness, or suitability for any particular purpose. All information is based on tests conducted under controlled laboratory conditions and is not necessarily representative of the actual performance of the end product under real-world conditions. The independent execution of comprehensive testing, as well as the final evaluation and responsibility for the performance of the end product, rests solely with the user. Any and all liability – regardless of the legal basis – is excluded to the fullest extent permitted by law.

If you cannot find the required dimensions, please contact us.