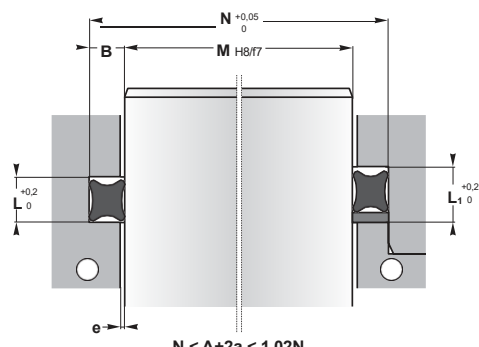
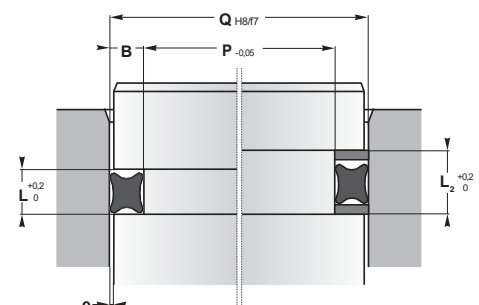


OXR



Internal housing

1,78	0,05
2,62 - 3,53	0,07
5,34 - 6,99	0,1



External housing

OXR, commonly called X-ring, is a four-lip seal with a special developed sealing profile. It is an endless circular ring with an almost square cross-section.

X-rings are used and handled in much the same way as O-rings but in many cases, a more efficient seal can be achieved.

The range of application is quite extensive due to the many types of existing elastomer materials allowing almost any medium to be effectively sealed off.

Operating conditions

Pressure (static)	≤ 15 MPa
with back-up rings (static)	≤ 40 MPa
Temperature	-30°C to 100°C
Fluids	mineral oils, HFA, HFB, HFC
Max. linear speed	0,5 m/sec
In rotation (contact us)	≤ 2 m/sec

Materials

NBR NBR 70 Sh A

Assembly

Outer sealing: in open or closed housings
Inner sealing: item codes marked with • have to be mounted in an open groove (type ⓑ of the drawing)

Advantages

Compact and low friction seal
Many applications in static, dynamic and rotative sealing
No twisting in the groove
Good price-performance ratio

Please contact us for applications approaching maximum values.

QR cross section	A x a	Reference	QR cross section	A x a	Reference	QR cross section	A x a	Reference			
1,78	2,9 x 1,78	OXR-006 •	3,53	13,82 x 3,53	OXR-207	5,34	37,47 x 5,34	OXR-325			
	3,68 x 1,78	OXR-007 •		18,64 x 3,53	OXR-210		39,2 x 5,34	OXR-326-A			
	4,47 x 1,78	OXR-008 •		20,22 x 3,53	OXR-211		40,65 x 5,34	OXR-326			
	5,28 x 1,78	OXR-009		21,82 x 3,53	OXR-212		43,82 x 5,34	OXR-327			
	6,07 x 1,78	OXR-010		23,4 x 3,53	OXR-213		45,2 x 5,34	OXR-328-A			
	7,65 x 1,78	OXR-011		24,99 x 3,53	OXR-214		47 x 5,34	OXR-328			
	8,2 x 1,78	OXR-012-A		26,58 x 3,53	OXR-215-XSEL		50,16 x 5,34	OXR-329			
	9,25 x 1,78	OXR-012		26,58 x 3,53	OXR-215		53,34 x 5,34	OXR-330			
	107,67 x 1,78	OXR-046		28,17 x 3,53	OXR-216-XSEL		56,52 x 5,34	OXR-331			
	2,62	9,19 x 2,62		OXR-110	2,62		28,17 x 3,53	OXR-216	2,62	59,69 x 5,34	OXR-332
		10,77 x 2,62		OXR-111			29,75 x 3,53	OXR-217		62,87 x 5,34	OXR-333
12,37 x 2,62		OXR-112	31,34 x 3,53	OXR-218		66,04 x 5,34	OXR-334				
13,94 x 2,62		OXR-113	32,92 x 3,53	OXR-219		69,22 x 5,34	OXR-335				
14,7 x 2,62		OXR-114-A	34,52 x 3,53	OXR-220		72,39 x 5,34	OXR-336				
15,54 x 2,62		OXR-114	36,09 x 3,53	OXR-221		75,57 x 5,34	OXR-337				
16,2 x 2,62		OXR-115-A	37,69 x 3,53	OXR-222		78,74 x 5,34	OXR-338				
17,12 x 2,62		OXR-115	40,87 x 3,53	OXR-223		81,92 x 5,34	OXR-339				
18,72 x 2,62		OXR-116	44,05 x 3,53	OXR-224		85,09 x 5,34	OXR-340				
20,29 x 2,62		OXR-117	47,22 x 3,53	OXR-225		88,27 x 5,34	OXR-341				
25,07 x 2,62		OXR-120	56,74 x 3,53	OXR-228		91,44 x 5,34	OXR-342				
29,82 x 2,62		OXR-123	91,67 x 3,53	OXR-239		94,62 x 5,34	OXR-343				
31,42 x 2,62		OXR-124	104,37 x 3,53	OXR-243		97,79 x 5,34	OXR-344				
34,59 x 2,62		OXR-126	120,25 x 3,53	OXR-248		100,97 x 5,34	OXR-345				
40,95 x 2,62		OXR-130	240,89 x 3,53	OXR-272		104,14 x 5,34	OXR-346				
113,97 x 2,62		OXR-157	266,29 x 3,53	OXR-275		107,32 x 5,34	OXR-347				
						110,5 x 5,34	OXR-348				
						113,67 x 5,34	OXR-349				
						123,19 x 5,34	OXR-352				
				135,89 x 5,34	OXR-356						
				142,24 x 5,34	OXR-358						

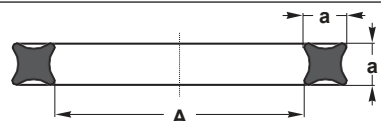
Table 229 - Groove dimensions

A	1,78	2,62	3,53	5,34	6,99	
Static application	B	1,4	2,15	2,9	4,3	5,7
	L	2,1	3,1	4,1	6,4	8,4
	L1	3,5	4,5	5,5	8,1	10,9
	L2	4,9	5,9	6,9	9,8	13,4
Dynamic application and rotation	B	1,55	2,35	3,25	4,9	6,5
	L	2	3	4	6	8
	L1	3,4	4,4	5,4	7,7	10,5
	L2	4,8	5,8	6,8	9,4	13

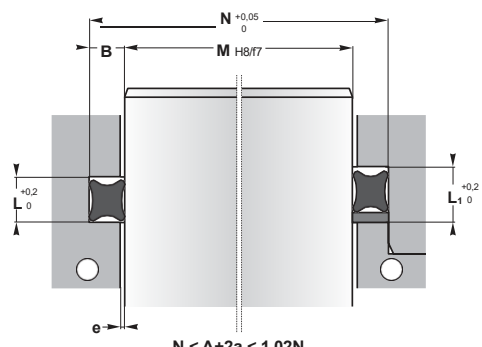


OXR

Four lipped seals

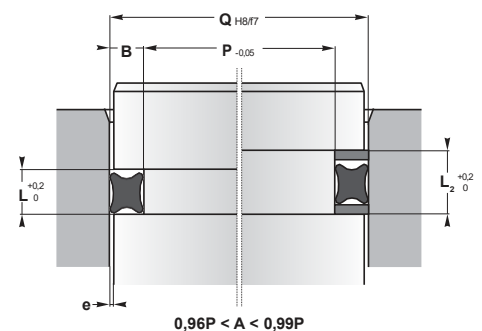


OXR



Internal housing

1,78	0,05
2,62 - 3,53	0,07
5,34 - 6,99	0,1



External housing

OXR, commonly called X-ring, is a four-lip seal with a special developed sealing profile. It is an endless circular ring with an almost square cross-section.

X-rings are used and handled in much the same way as O-rings but in many cases, a more efficient seal can be achieved.

The range of application is quite extensive due to the **many types** of existing elastomer materials allowing almost any medium to be effectively sealed off.

Operating conditions

Pressure (static)	≤ 15 MPa
with back-up rings (static)	≤ 40 MPa
Temperature	-30°C to 100°C
Fluids	mineral oils, HFA, HFB, HFC
Max. linear speed	0,5 m/sec
In rotation (contact us)	≤ 2 m/sec

Materials

NBR NBR 70 Sh A

Assembly

- Outer sealing: in open or closed housings
- Inner sealing: item codes marked with • have to be mounted in an open groove (type B of the drawing)

Advantages

- Compact and low friction seal
- Many applications in static, dynamic and rotative sealing
- No twisting in the groove
- Good price-performance ratio

Please contact us for applications approaching maximum values.

QR cross section	A x a	Reference	QR cross section	A x a	Reference
6,99	113,67 x 6,99	OXR-425	6,99	183,52 x 6,99	OXR-442
	116,84 x 6,99	OXR-426		189,87 x 6,99	OXR-443
	120,02 x 6,99	OXR-427		196,22 x 6,99	OXR-444
	123,2 x 6,99	OXR-428		202,57 x 6,99	OXR-445
	126,37 x 6,99	OXR-429		215,27 x 6,99	OXR-446
	129,54 x 6,99	OXR-430		227,97 x 6,99	OXR-447
	132,72 x 6,99	OXR-431		240,67 x 6,99	OXR-448
	135,9 x 6,99	OXR-432		253,3 x 6,99	OXR-449
	139,06 x 6,99	OXR-433		266,07 x 6,99	OXR-450
	142,24 x 6,99	OXR-434		278,77 x 6,99	OXR-451
145,42 x 6,99	OXR-435	291,47 x 6,99	OXR-452		
148,6 x 6,99	OXR-436	304,17 x 6,99	OXR-453		
151,77 x 6,99	OXR-437	316,87 x 6,99	OXR-454		
158,12 x 6,99	OXR-438	329,57 x 6,99	OXR-455		
164,47 x 6,99	OXR-439	342,3 x 6,99	OXR-456		
			355 x 6,99	OXR-457	
170,82 x 6,99	OXR-440				
173,52 x 6,99	OXR-440A		367,67 x 6,99	OXR-458	
177,17 x 6,99	OXR-441		380,37 x 6,99	OXR-459	
			393,07 x 6,99	OXR-460	

Table 231 - Groove dimensions

A	1,78	2,62	3,53	5,34	6,99	
Static application	B	1,4	2,15	2,9	4,3	5,7
	L	2,1	3,1	4,1	6,4	8,4
	L1	3,5	4,5	5,5	8,1	10,9
	L2	4,9	5,9	6,9	9,8	13,4
Dynamic application and rotation	B	1,55	2,35	3,25	4,9	6,5
	L	2	3	4	6	8
	L1	3,4	4,4	5,4	7,7	10,5
	L2	4,8	5,8	6,8	9,4	13