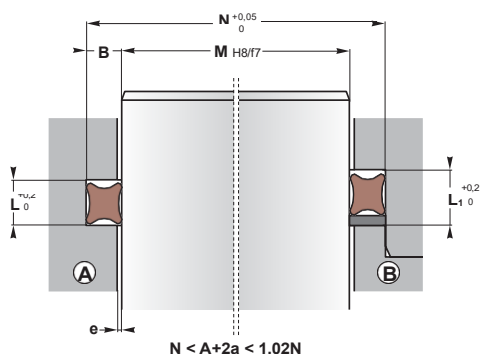
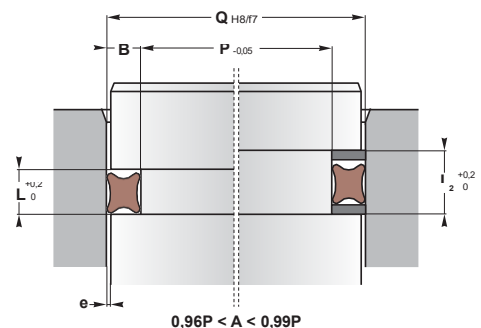


OXR-FPM



Internal housing

a	e max
1,78	0,05
2,62 - 3,53	0,07
5,34 - 6,99	0,1



External housing

OXR-FPM, commonly called X-ring, is a four-lip seal with a special developed sealing profile. It is an endless circular ring with an almost square cross-section.

X-rings are used and handled in much the same way as O-rings but in many cases, a more efficient seal can be achieved.

The range of application is quite extensive due to the **many types** of existing elastomer materials allowing almost any medium to be effectively sealed off.

Operating conditions

- Pressure (static) ≤ 15 MPa
- with back-up rings (static) ≤ 40 MPa
- Temperature -20°C to 200°C
- Fluids mineral oils, HFA, HFB, HFD
- Max. linear speed 0,5 m/sec
- In rotation (contact us) ≤ 2 m/sec

Materials

FPM 70 Sh A

Assembly

- Outer sealing: in open or closed housings
- Inner sealing: item codes marked with • have to be mounted in an open groove (type Ⓑ of the drawing)

Advantages

- Compact and low friction seal
- Many applications in static, dynamic and rotative sealing
- No twisting in the groove

Please contact us for applications approaching maximum values.

QR cross section	A x a	Reference
1,78	9,25 x 1,78	0XR-012-FPM
2,62	12,37 x 2,62	0XR-112-FPM
	17,12 x 2,62	0XR-115-FPM
3,53	18,64 x 3,53	0XR-210-FPM
	34,52 x 3,53	0XR-220-FPM
	37,69 x 3,53	0XR-222-FPM
	240,89 x 3,53	0XR-272-FPM
5,34	69,22 X 5,34	0XR-335-FPM
	78,74 X 5,34	0XR-338-FPM
6,99	215,27 x 6,99	0XR-446-FPM

	A	1,78	2,62	3,53	5,34	6,99
Static application	B	1,4	2,15	2,9	4,3	5,7
	L	2,1	3,1	4,1	6,4	8,4
	L ₁	3,5	4,5	5,5	8,1	10,9
	L ₂	4,9	5,9	6,9	9,8	13,4
Dynamic application and rotation	B	1,55	2,35	3,25	4,9	6,5
	L	2	3	4	6	8
	L ₁	3,4	4,4	5,4	7,7	10,5
	L ₂	4,8	5,8	6,8	9,4	13