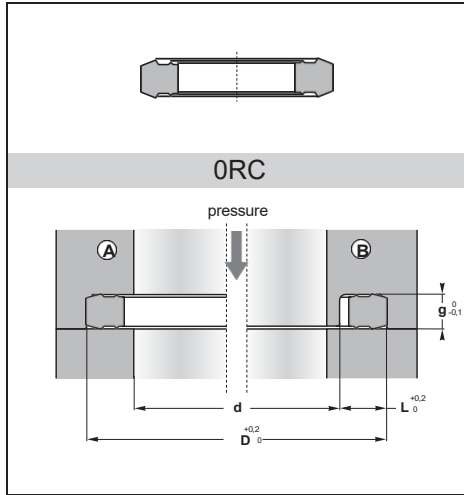




ORC



Operating conditions

Pressure 800 bar
Temperature -40°C to 110°C

Materials

PU32

Assembly

Axial : in opened Ⓐ or closed Ⓑ housings

Advantages

Good resistance against high peak pressures
The polyurethane material PU32 has an excellent resistance against extrusion
Recommended for hydraulic hammers and breakers

Please contact us for applications approaching maximum values.

d	D	g	Reference
6	12	1,9	ORC-06
8	14	1,9	ORC-08
10	16	1,9	ORC-10
12	18	1,9	ORC-12
14	21	1,9	ORC-14
16	23	1,9	ORC-16
17,6	22	1,4	ORC-17,6
20	27	1,9	ORC-20
22,1	26,5	1,4	ORC-22,1
24	30	1,9	ORC-24
24,6	31,8	2,1	ORC-24,6
25	33	2,4	ORC-25
30	38	1,9	ORC-30
32	40	2,4	ORC-32
40	48	2,4	ORC-40
50	58	2,5	ORC-50