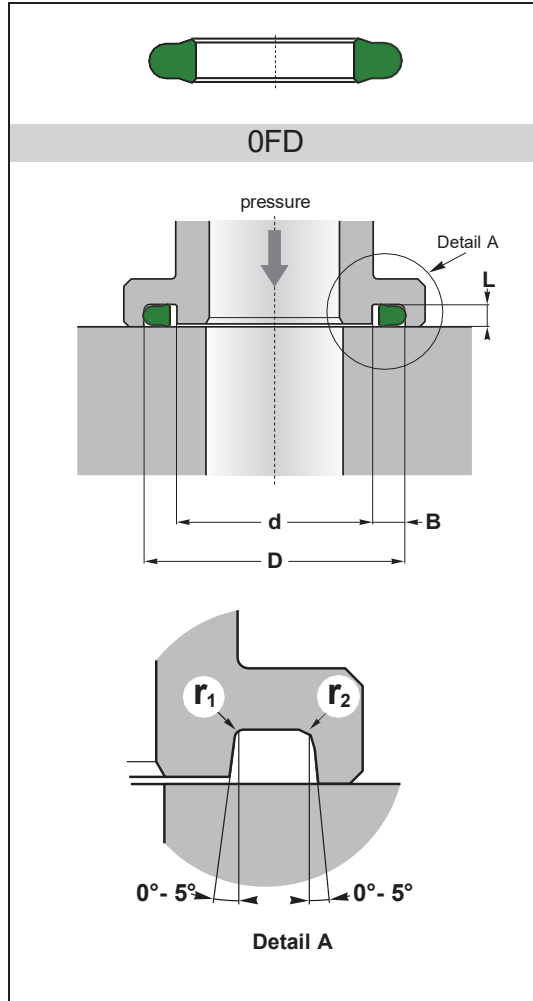




OFD

## Seals for SAE and ISO flanges



OFD PU seal has been developed to ensure a flange sealing and to substitute traditional O-rings when they are not suitable due to difficult conditions such as high pressure or rough surface finish.

A flush fitting with the outside diameter reduces the radial movements induced by the frequent "pull-in" phenomenon of pressure.

The material used to produce this seal is a PU compound for **extreme temperatures** that ensures excellent properties on wear-resistance, extended service life and resistance against extrusion.

### Operating conditions

Pressure	≤ 50 MPa
Temperature	-40°C to 120°C
Fluids	mineral oils

### Materials

Polyurethane 92 Sh A PU33

### Assembly

On flanges SAE J518 3000 psi (21 MPa) and 6000 psi (42 MPa)

On flanges ISO 6162-2

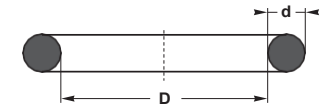
### Advantages

- Good extrusion resistance
- Long service life
- Large temperature range
- Easy assembly because the seal is maintained in its housing (captive mounting)
- Can be assembled on SAE and ISO flanges

Please contact us for applications approaching maximum values.

## SAE J518 flanges

SAE	D	L	B	r1	r2	Ref.	Alternative		
							O-ring D x d	O-ring NBR 90 Sh A	O-ring FPM 90 Sh A
1/2	25,4/25,53	2,79/2,92	3,94/4,45	0,76	0,76	OFD-08	18,64 x 3,53	03 353 1864	05 353 1864
3/4	31,75/31,88	2,79/2,92	3,94/4,45	0,76	0,76	OFD-12	24,99 x 3,53	03 353 2499	05 353 2499
1	39,62/39,75	2,79/2,92	3,94/4,45	0,76	0,76	OFD-16	32,92 x 3,53	03 353 3292	05 353 3292
1-1/4	44,45/44,58	2,79/2,92	3,94/4,45	0,76	0,76	OFD-20	37,69 x 3,53	03 353 3769	05 353 3769
1-1/2	53,72/53,98	2,79/2,92	3,94/4,45	0,76	0,76	OFD-24	47,22 x 3,53	03 353 4722	05 353 4722
2	63,25/63,5	2,79/2,92	3,94/4,45	0,76	0,76	OFD-32	56,74 x 3,53	03 353 5674	05 353 5674
2-1/2	76,06/76,33	2,79/2,92	3,94/4,45	0,76	0,76	OFD-40	69,44 x 3,53	03 353 6944	05 353 6944
3	91,82/92,08	2,79/2,92	3,94/4,45	0,76	0,76	OFD-48	85,32 x 3,53	03 353 8532	05 353 8532



Alternative :  
O-ring NBR 90 Sh A - FPM 90 Sh A

## ISO 6162-2 flanges

DN	D	L	B	r1	r2	Ref.	Alternative		
							O-ring D x d	O-ring NBR 90 Sh A	O-ring FPM 90 Sh A
13	25,5/25,65	2,8/2,9	4,1/4,6	0,4/0,8	1,2/1,5	OFD-08	18,64 x 3,53	03 353 1864	05 353 1864
19	31,6/31,75	2,8/2,9	4,1/4,6	0,4/0,8	1,2/1,5	OFD-12	24,99 x 3,53	03 353 2499	05 353 2499
25	39,1/39,25	2,8/2,9	4,1/4,6	0,4/0,8	1,2/1,5	OFD-16	32,92 x 3,53	03 353 3292	05 353 3292
32	44/44,15	2,8/2,9	4,1/4,6	0,4/0,8	1,2/1,5	OFD-20	37,69 x 3,53	03 353 3769	05 353 3769
38	53,7/53,9	2,8/2,9	4,1/4,6	0,4/0,8	1,2/1,5	OFD-24	47,22 x 3,53	03 353 4722	05 353 4722
51	62,5/62,75	2,8/2,9	4,1/4,6	0,4/0,8	1,2/1,5	OFD-32	56,74 x 3,53	03 353 5674	05 353 5674