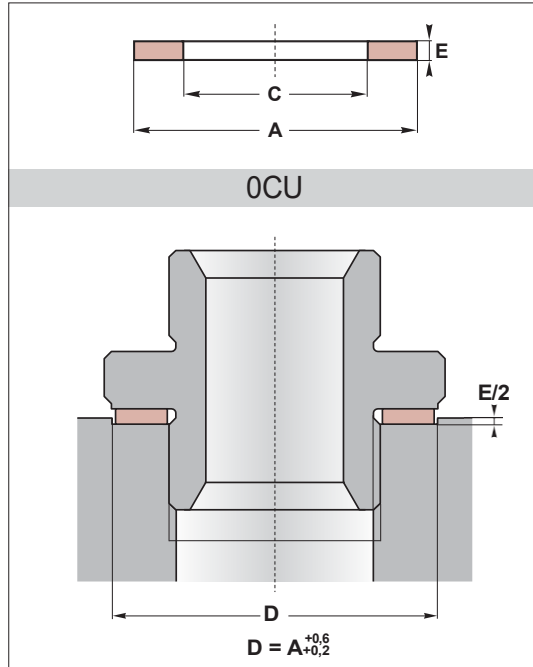
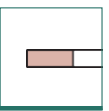


OCU

### Copper washers



OCU copper washers are used for screws and connectors.

By tightening the screws the copper material is compressed, thereby producing the sealing effect on the surfaces to be sealed. It stops the medium from leaking to the outside, thus preventing loss of pressure. In addition, it provides **protection against dirt** from the outside.

#### Operating conditions

Pressure contact us  
Temperature -100°C to 150°C

#### Materials

Copper CU

#### Assembly

For bolt and connector: see drawing on this page

#### Advantages

Good price-performance ratio  
Possibility of sealing if the sealing sides are not parallel

**Please contact us for applications approaching maximum values.**

metric	BSP	C	A	E	Reference
M6		6	12	1,5	OCU-06
M8		8	12	1,5	OCU-08
M8		8	14	1,5	OCU-08-1
M10		10	14	1	OCU-10
M10	1/8	10	16	1,5	OCU-10-1
M12		12	18	1,5	OCU-12
	1/4	13	19	1,5	OCU-13
M14		14	18	1,5	OCU-14
M14		14	20	1,5	OCU-14-1
M16		16	22	1,5	OCU-16-1
	3/8	17	23	1,5	OCU-17-1
M18		18	24	1,5	OCU-18-1
M18		18	25	1,5	OCU-18-2
M20		20	26	1,5	OCU-20
	1/2	21	27	1,5	OCU-21
M22		22	28	1,5	OCU-22
	5/8	23	29	1	OCU-23
M24		24	30	1,5	OCU-24
	3/4	27	35	1,5	OCU-27
	1	33,6	41	1,5	OCU-33