



OBS bonded seals are used for screws and connectors. By tightening the screws the elastomer sealing lip is compressed, thereby producing the sealing effect on the surfaces to be sealed. It stops the medium from leaking to the outside, thus preventing loss of pressure. In addition, it provides **protection against dirt** from the outside.

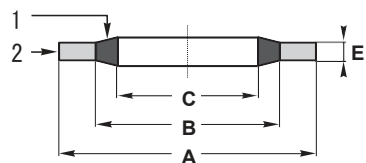
Operating conditions	
Pressure	contact us
Temperature	
NBR	-30 to 100°C
FPM	-20 to 200°C

Materials	
① OBS	NBR 70 Sh A
OBS-FPM	FPM 70 Sh A
② OBS	Cd-plated or passivated steel
OBS-FPM	Cd-plated or passivated steel
OBS-FPM-SS	stainless steel

Assembly
For bolts and connectors: see drawing on this page

Advantages
No sweating
Large range of elastomers and metals possible
Sealing for metric, Whitworth and BSP threads

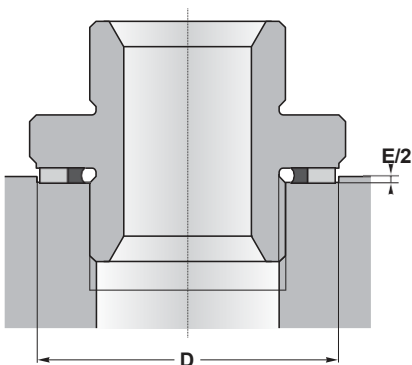
Please contact us for applications approaching maximum values.



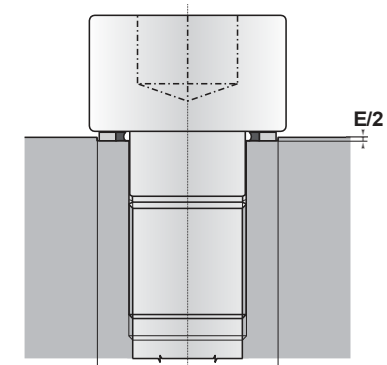
OBS

OBS-FPM

OBS-FPM-SS



$$D = A^{+0,6}_{+0,2}$$



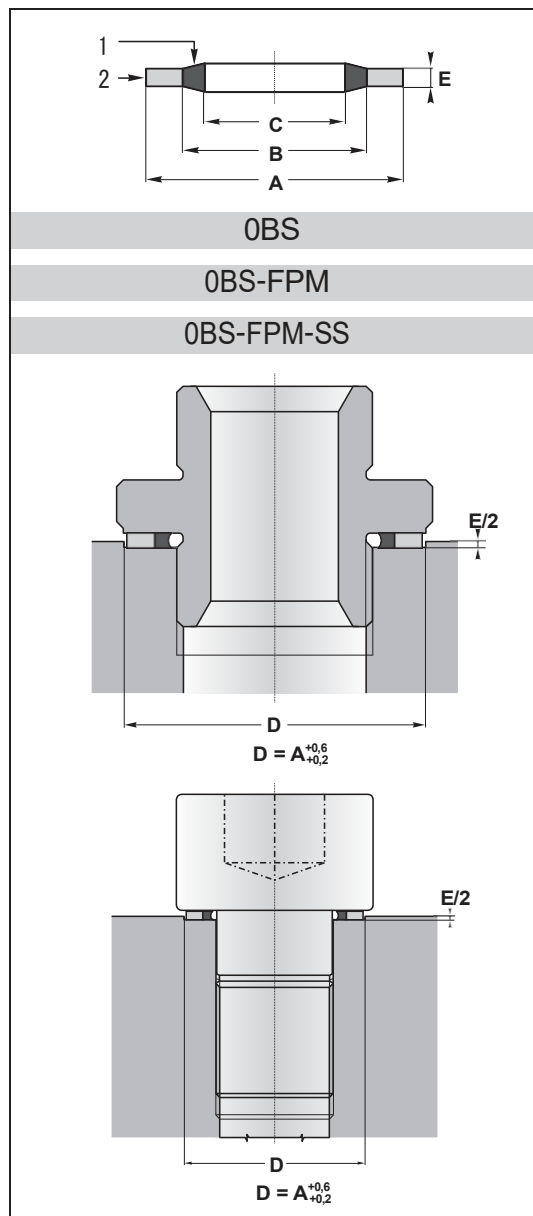
$$D = A^{+0,6}_{+0,2}$$

Tolerances

SERIE	A	B	C	E
0, 2, 3	+0,13 0	±0,13	±0,13	±0,15
5	0 -0,12	+0,2 0	+0,2 0	±0,15

OBS0 = English range

BSP	Inch	A	B	C	E	Reference	
	6BA	6,35	4,09	3,05	1,3	OBS-001	
	4BA	7,26	5,26	4,12	1,3	OBS-002	
	2BA	8,38	6,35	5,21	1,3	OBS-003	
	1/4	13,21	8	6,86	1,3	OBS-004	
	1/4	13,34	9,53	6,99	1,3	OBS-005	
	5/16	13,34	9,53	8,31	1,3	OBS-006	
	5/16	14,22	10,04	8,64	1,3	OBS-007	
	0,4	18,36	12,45	11,26	2	OBS-008	
	7/16	19,05	13,08	11,69	2	OBS-009	
	9/16	22,23	16,39	14,86	2	OBS-010	
	5/8	25,4	18,75	16,51	2	OBS-011	
	11/16	25,4	19,69	18,16	2,5	OBS-012	
	15/16	33,27	26,04	24,26	2,5	OBS-013	
	1-1/8	36,58	30,86	29,33	2,5	OBS-014	
	1-1/4	41,4	35,69	32,64	3,4	OBS-015	
	1-3/8	44,45	38,99	35,94	3,4	OBS-016	
	1-1/2	47,75	42,04	38,96	3,4	OBS-017	
	1-3/4	57,15	48,39	45,34	3,4	OBS-018	
	1/8	3/8	15,88	11,84	10,37	2	OBS-020
	1/4	1/2	20,57	15,21	13,74	2	OBS-021
		0,6	22,23	17,3	15,83	2	OBS-022
	3/8		23,8	18,75	17,28	2	OBS-023
		3/4	26,92	21,21	19,69	2,5	OBS-024
	1/2	13/16	28,58	23,01	21,54	2,5	OBS-025
	5/8	7/8	31,75	24,97	23,49	2,5	OBS-026
	3/4	1	34,93	28,53	27,05	2,5	OBS-027
		1-1/16	38,61	30,61	27,82	2,5	OBS-028
	7/8	1-3/16	38,1	32,29	30,81	2,5	OBS-029
	1	1-5/16	42,8	36,88	33,89	2,5	OBS-030
	1-1/4	1-5/8	52,38	45,93	42,93	2,5	OBS-032
	1-1/2	1-7/8	58,6	51,39	48,44	2,5	OBS-033
	1-3/4	2-1/8	69,85	58,3	54,89	2,5	OBS-034
		2-1/4	70,36	61,09	58,04	2,5	OBS-035
	2		73,03	63,63	60,58	2,5	OBS-036
		2-1/2	77,72	67,44	64,39	3,4	OBS-037
	2-1/4		79,5	69,98	66,68	3,4	OBS-038
	2-1/2		90,3	79,38	76,08	3,4	OBS-039



OBS bonded seals are used for screws and connectors.

By tightening the screws the elastomer sealing lip is compressed, thereby producing the sealing effect on the surfaces to be sealed. It stops the medium from leaking to the outside, thus preventing loss of pressure. In addition, it provides **protection against dirt** from the outside.

Operating conditions

Pressure	contact us
Temperature	
NBR	-30 to 100°C
FPM	-20 to 200°C

Materials

① OBS	NBR 70 Sh A
OBS-FPM	FPM 70 Sh A
② OBS	Cd-plated or passivated steel
OBS-FPM	Cd-plated or passivated steel
OBS-FPM-SS	stainless steel

Assembly

For bolts and connectors : see drawing on this page

Advantages

No sweating
Large range of elastomers and metals possible
Sealing for metric, Whitworth and BSP threads

Please contact us for applications approaching maximum values.

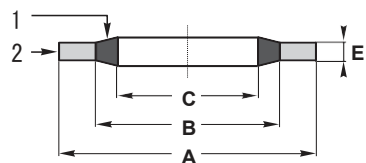
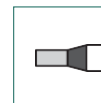
OBS2 = German range

metric	A	B	C	E	Reference
M3,5	7,2	5,2	4,1	1	OBS-201
M4	7	5,4	4,5	1	OBS-202
M5	9	6,8	5,7	1	OBS-203
	10	7,4	5,7	1	OBS-204
M5,5	9,2	7,2	6,2	1	OBS-205
M6	10	8	6,7	1	OBS-206
	11	8,2	6,7	1	OBS-207
	11	8,2	6,7	2,5	OBS-208
	12	8,8	7,1	1	OBS-209
	10,2	8,6	7,3	1	OBS-210
M8	13,4	9,4	8,5	1	OBS-211
	13	10	8,7	1	OBS-212
	14	10,4	8,7	1	OBS-213
	16	10,4	8,7	1	OBS-214
	13,3	10,5	9,3	1	OBS-215
M10	16	12	10,35	2	OBS-216
	16	12,4	10,7	1,5	OBS-217
	18	12,4	10,7	1,5	OBS-218
M11	16,3	12,7	11,4	1,5	OBS-219
	18,5	13,7	11,8	1,5	OBS-220
	19,1	13,5	11,8	1,5	OBS-221
M12	18	14,4	12,7	1,5	OBS-222
	20	14	12,7	1,5	OBS-223
M13	20	15,4	13,7	1,5	OBS-224
	22	15,4	13,7	1,5	OBS-225
	18,7	15,7	14	1,5	OBS-226
M14	22	16,4	14,7	1,5	OBS-227
M15	22,7	17,78	16	1,5	OBS-228
M16	24	18,4	16,7	1,5	OBS-229

metric	A	B	C	E	Reference
M17	24	19,2	17,4	1,5	OBS-230
	24,7	20,1	18	1,5	OBS-231
M18	26	20,4	18,7	1,5	OBS-232
M20	28	22,5	20,7	1,5	OBS-233
M21	28,7	23,3	21,5	2,5	OBS-234
M22	28	24,2	22,5	1,5	OBS-235
	30	24,4	22,7	2	OBS-236
	30	24,4	22,7	3	OBS-237
M24	32	26,4	24,7	2	OBS-238
M26	35	28,4	26,7	2	OBS-239
M27	36	29	27,7	2	OBS-240
M30	39	33	31	2	OBS-242
M33	42	35,8	33,7	2	OBS-243
	43	36,4	34,3	2	OBS-244
M36	46	38,8	36,7	2	OBS-245
M39	51	41,9	40	2,5	OBS-246
M42	53	44	42,7	3	OBS-247
M48	59	50,8	48,7	3	OBS-248
M51	60	54,1	52	3	OBS-249
M52	64,5	56,4	53,3	3	OBS-250
M60	73	63	60,7	3	OBS-251

Tolerances

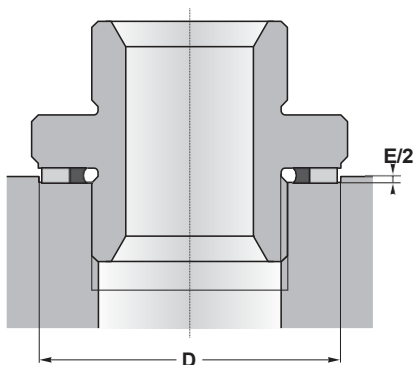
SERIE	A	B	C	E
0, 2, 3	+0,13 0	±0,13	±0,13	±0,15
5	0 -0,12	+0,2 0	+0,2 0	±0,15



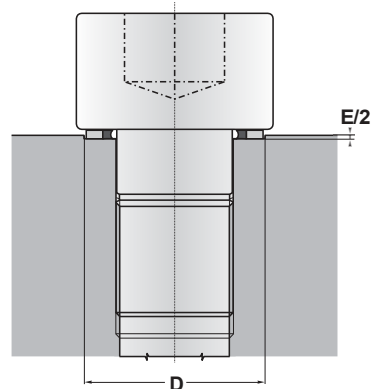
OBS

OBS-FPM

OBS-FPM-SS



$D = A^{+0,6}_{+0,2}$



$D = A^{+0,6}_{+0,2}$

OBS bonded seals are used for screws and connectors. By tightening the screws the elastomer sealing lip is compressed, thereby producing the sealing effect on the surfaces to be sealed. It stops the medium from leaking to the outside, thus preventing loss of pressure. In addition, it provides **protection against dirt** from the outside.

Operating conditions

Pressure	contact us
Temperature	
NBR	-30 to 100°C
FPM	-20 to 200°C

Materials

① OBS	NBR 70 Sh A
OBS-FPM	FPM 70 Sh A
② OBS	Cd-plated or passivated steel
OBS-FPM	Cd-plated or passivated steel
OBS-FPM-SS	stainless steel

Assembly

For bolts and connectors : see drawing on this page

Advantages

- No sweating
- Large range of elastomers and metals possible
- Sealing for metric, Whitworth and BSP threads

Please contact us for applications approaching maximum values.

OBS3 = French range

metric	A	B	C	E	Reference
M3	7,5	5	3,6	1	OBS-301
M4	9	6	4,6	1	OBS-302
M5	10	7	5,6	1	OBS-303
M6	11	8	6,6	1	OBS-304
M6	13,27	8	6,85	1,3	OBS-305
M6	11,4	8,4	7	1	OBS-306
M8	13	10	8,6	1	OBS-307
M10	17	12,1	10,7	1,5	OBS-310
M11	18,1	13,2	11,8	1,5	OBS-312
M12	19	14,1	12,7	1,5	OBS-313
M13	20,1	15,2	13,8	1,5	OBS-315
M14	21	16,1	14,7	1,5	OBS-316
M16	23	18,1	16,7	1,5	OBS-317
M18	27	20,4	18,7	2	OBS-320
M20	29	22,4	20,7	2	OBS-321
M21	30	23,4	21,7	2	OBS-323
M22	31	24,4	22,7	2	OBS-324
M24	33	26,4	24,7	2	OBS-326
M26	35,3	28,7	27	2	OBS-327
M27	36	29,4	27,7	2	OBS-328
M28	36	30,3	28,6	2	OBS-329
M30	39	32,4	30,7	2	OBS-331
M33	42	35,4	33,7	2	OBS-332
M36	48	39,6	37	2,5	OBS-333
M39	51	42,6	40	2,5	OBS-334
M42	54	45,6	43	2,5	OBS-335
M45	57	48,6	46	2,5	OBS-336
M48	60	51,6	49	2,5	OBS-337

OBS5 = CETOP range

BSP	A	B	C	E	Reference
1/8	14,7	12	10,4	1,25	OBS-510
1/4	18,7	15,75	13,9	1,25	OBS-511
3/8	22,7	19,25	17,3	1,25	OBS-512
1/2	26,7	23,55	21,7	1,25	OBS-513
5/8	32,5	29,2	27,3	1,25	OBS-514
1	39,5	36,1	34,2	2	OBS-515
1-1/4	49,5	44,7	42,8	2	OBS-516
1-1/2	55,5	50,6	48,7	2	OBS-517
2	68,5	62,4	60,5	2	OBS-518

Tolerances

SERIE	A	B	C	E
0, 2, 3	+0,13 0	±0,13	±0,13	±0,15
5	0 -0,12	+0,2 0	+0,2 0	±0,15