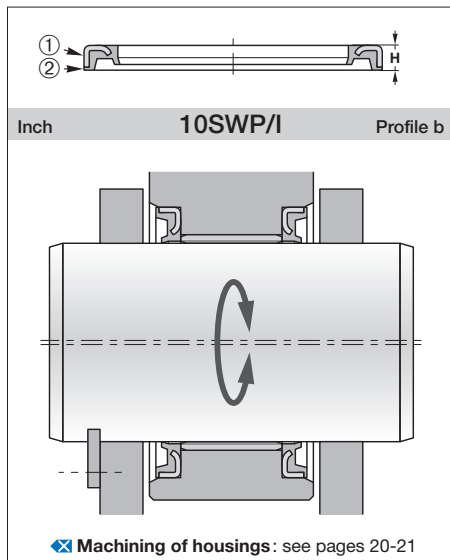
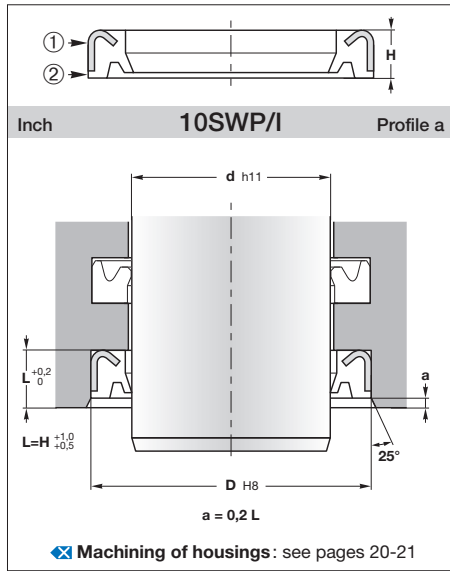




10SWP/I



Operating conditions see page 9
 Temperature -30°C to 100°C
 Speed ≤ 0,5 m/s
 Fluids see page 17

Materials see pages 10-15
 Metal cage ① Galvanized steel
 Wiper ② PU14

Assembly see pages 26-29
 Must be pressed in an open housing

Advantages
 Small section
 Excellent abrasion resistance
 For earth moving machines and difficult conditions
 Profile b seals are more used as link pin seals

Please contact us for applications approaching maximum values.

d	D	H	Reference
19,05	31,75	6,35	10SWP/I 075125
22,22	28,57	4	10SWP/I 087112
	34,92	7,92	10SWP/I 087137
25,4	38,1	7,92	10SWP/I 100150
28,57	41,27	7,92	10SWP/I 112162
31,75	44,45	6,35	10SWP/I 125175
34,92	47,62	7,92	10SWP/I 137187
38,1	47,62	6,35	10SWP/I 150187
	47,62	4,76	10SWP/I 150187/1
	50,8	6,35	10SWP/I 150200
	57,15	9,5	10SWP/I 150225
41,27	53,97	6,35	10SWP/I 162212
44,45	53,9	4,8	10SWP/I 175212
	57,15	6,35	10SWP/I 175225
50,8	63,5	7,92	10SWP/I 200250
	63,5	6,35	10SWP/I 200250/1
	66,67	6,35	10SWP/I 200262
	68,26	9,5	10SWP/I 200268
	69,85	9,5	10SWP/I 200275
53,97	63,5	4,76	10SWP/I 212250 NBR
	66,67	7,92	10SWP/I 212262
57,15	69,85	6,35	10SWP/I 225275
	73,02	6,35	10SWP/I 225287
	76,2	9,5	10SWP/I 225300
	76,2	7,92	10SWP/I 225300/1

d	D	H	Reference
63,5	76,2	7,92	10SWP/I 250300
	82,55	9,5	10SWP/I 250325
	82,55	6,35	10SWP/I 250325/1
66,67	79,37	7,37	10SWP/I 262312
69,82	82,55	7,92	10SWP/I 275325
69,85	88,9	6,35	10SWP/I 275350
	95,25	12,7	10SWP/I 275375
76,2	88,9	7,92	10SWP/I 300350
	95,25	6,35	10SWP/I 300375
	101,6	12,7	10SWP/I 300400
79,37	92,07	5,85	10SWP/I 312362
82,55	95,25	9,5	10SWP/I 325375
	95,25	7,92	10SWP/I 325375/1
	101,6	6,35	10SWP/I 325400
	107,95	12,7	10SWP/I 325425
88,9	101,6	7,92	10SWP/I 350400
	104,77	6,35	10SWP/I 350412
	104,77	7,92	10SWP/I 350412/1
	107,95	6,35	10SWP/I 350425
	114,3	12,7	10SWP/I 350450