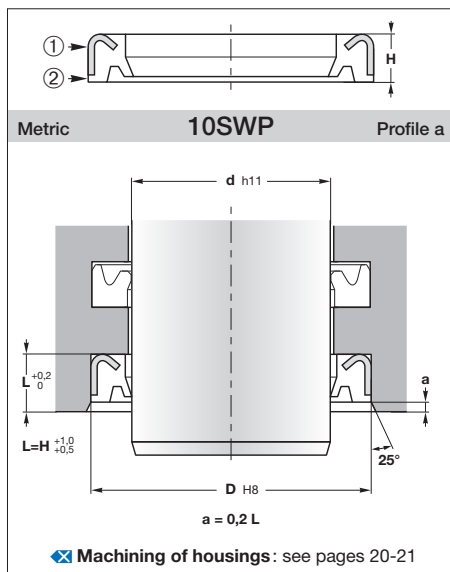




# 10SWP



**Operating conditions** **see page 9**

Temperature -30°C to 100°C  
 Speed  $\leq 0,5 \text{ m/s}$   
 Fluids **see page 17**

**Materials** **see pages 10-15**

Metal cage ① Galvanized steel  
 Wiper ② PU14

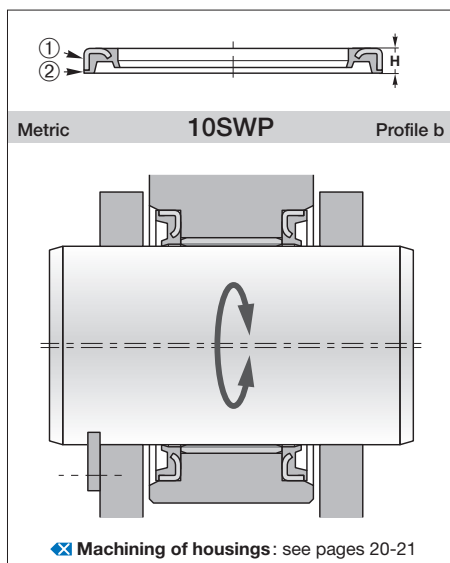
**Assembly** **see pages 26-29**

Must be pressed in an open housing

**Advantages**

Small section  
 Excellent abrasion resistance  
 For earth moving machines and difficult conditions  
 Profile b seals are more used as link pin seals

**Please contact us for applications approaching maximum values.**

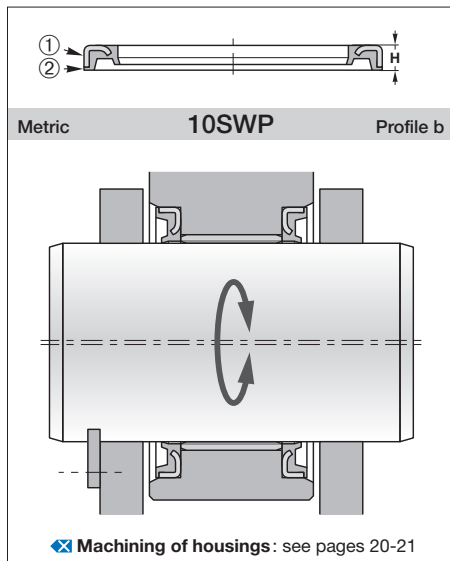
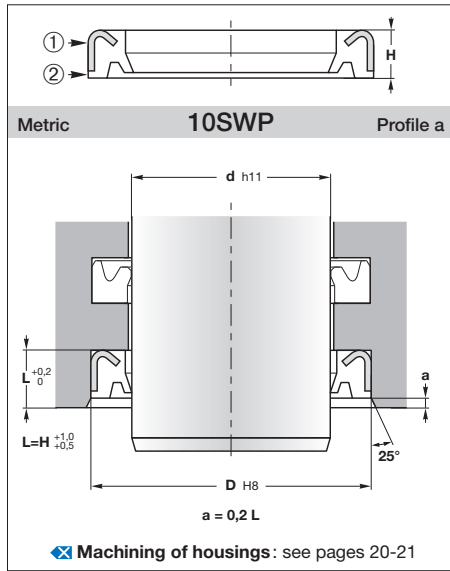


d	D	H	Reference
25	35	4	10SWP 2535
	38	7,5	10SWP 2538
30	40	4	10SWP 3040
	43	7,5	10SWP 3043
35	45	4	10SWP 3545
	45	5	10SWP 3545/1
	47	7	10SWP 3547
50	50	7,5	10SWP 3550
	50	7,5	10SWP 3550
36	48	6	10SWP 3648
	48	6	10SWP 3648
38	50	7,5	10SWP 3850
	50	7,5	10SWP 3850
40	50	4	10SWP 4050
	52	7	10SWP 4052
45	55	3,2	10SWP 4555/1
	55	4	10SWP 4555
	55	6	10SWP 4555/2
50	57	7	10SWP 4557
	60	5	10SWP 4560/1
	60	7,5	10SWP 4560
	60	7,5	10SWP 4560
50	60	4	10SWP 5060
	60	5	10SWP 5060/2
	60	7	10SWP 5060/1
62	62	7	10SWP 5062
	63	4	10SWP 5063
	63	8	10SWP 5063/1
65	65	5	10SWP 5065/1
	65	7,5	10SWP 5065
	65	7,5	10SWP 5065
55	65	3,2	10SWP 5565
	65	4	10SWP 5565/1
	68	4	10SWP 5568
69	69	8	10SWP 5569
	70	5	10SWP 5570/1
	70	7,5	10SWP 5570
56	70	7,5	10SWP 5670
	70	7,5	10SWP 5670
60	70	4	10SWP 6070/1
	70	7	10SWP 6070
	73	8	10SWP 6073
74	74	8	10SWP 6074
	75	4	10SWP 6075/1
	75	5	10SWP 6075/2
75	75	7,5	10SWP 6075
	75	7,5	10SWP 6075

d	D	H	Reference
63	78	7,5	10SWP 6378
	80	5	10SWP 6380
65	79	8	10SWP 6579
	80	5	10SWP 6580/1
	80	8	10SWP 6580
70	80	4	10SWP 7080/2
	80	5	10SWP 7080
	80	7	10SWP 7080/1
83	83	8	10SWP 7083
	84	8	10SWP 7084
	85	4	10SWP 7085/1
85	85	5	10SWP 7085/2
	85	7,5	10SWP 7085
	85	8	10SWP 7085/3
90	90	5	10SWP 7090
	90	5	10SWP 7090
71	85	6	10SWP 7185
	86	5	10SWP 7186
75	89	8	10SWP 7589
	90	6	10SWP 7590/1
	90	8	10SWP 7590
95	95	10	10SWP 7595
	95	10	10SWP 7595
76	100	10	10SWP 76100
	100	10	10SWP 76100
76,5	96,5	10	10SWP 7696
	96,5	10	10SWP 7696
80	90	4,5	10SWP 8090/1
	90	7	10SWP 8090
	93	8	10SWP 8093
94	94	8	10SWP 8094
	95	5	10SWP 8095/1
	95	7,5	10SWP 8095/2
95	95	8	10SWP 8095
	100	6	10SWP 80100/1
	100	10	10SWP 80100
85	99	8	10SWP 8599
	100	4	10SWP 85100/1
	100	6	10SWP 85100/3
100	100	8	10SWP 85100/2
	100	10	10SWP 85100
	105	10	10SWP 85105



# 10SWP



**Operating conditions** see page 9  
 Temperature -30°C to 100°C  
 Speed ≤ 0,5 m/s  
 Fluids see page 17

**Materials** see pages 10-15  
 Metal cage ① Galvanized steel  
 Wiper ② PU14

**Assembly** see pages 26-29  
 Must be pressed in an open housing

**Advantages**  
 Small section  
 Excellent abrasion resistance  
 For earth moving machines and difficult conditions  
 Profile b seals are more used as link pin seals

**Please contact us for applications approaching maximum values.**

d	D	H	Reference
90	100	7	10SWP 90100
	104	8	10SWP 90104
	105	5	10SWP 90105/1
95	105	6	10SWP 90105
	105	8	10SWP 90105/2
	110	10	10SWP 90110
	110	8	10SWP 95110
100	114	8	10SWP 100114
	115	4	10SWP 100115/2
	115	5	10SWP 100115/3
105	115	6	10SWP 100115/1
	115	7,5	10SWP 100115
	120	10	10SWP 100120
	125	4	10SWP 100125
110	120	7	10SWP 105120
	120	8	10SWP 105120/1
	121	9	10SWP 105121
115	125	4	10SWP 110125/1
	125	9	10SWP 110125
	126	9	10SWP 110126
130	10	10SWP 110130	

d	D	H	Reference
115	130	7,5	10SWP 115130
	131	9	10SWP 115131
120	135	7	10SWP 120135/1
	135	8	10SWP 120135
	136	9	10SWP 120136
125	140	8	10SWP 120140/1
	140	10	10SWP 120140
130	140	8	10SWP 125140
	141	9	10SWP 125141
	145	10	10SWP 125145
140	145	7,5	10SWP 130145
	146	9	10SWP 130146
	150	10	10SWP 130150
150	155	8	10SWP 140155
	160	10	10SWP 140160
160	170	10	10SWP 150170
	175	10	10SWP 160175
190	210	10	10SWP 190210