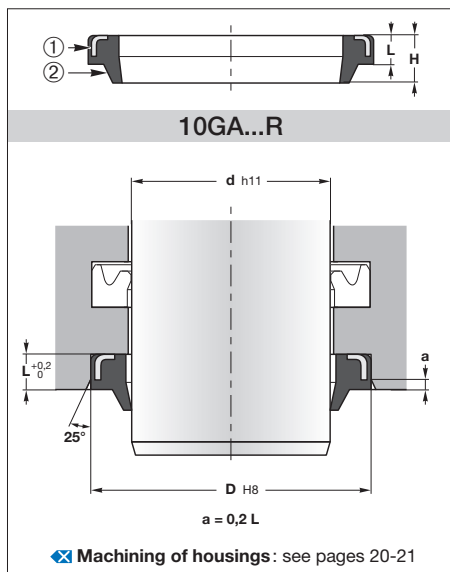




10GA.../R



Operating conditions ✦ see page 9

Temperature -30°C to 100°C
 Speed $\leq 0,8$ m/s
 Fluids ✦ see page 17

Materials ✦ see pages 10-15

Metal cage ① Steel
 Wiper ② NBR

Assembly ✦ see pages 26-29

Must be pressed in an open housing

Advantages

Small section
 No penetration at the outer diameter of the wiper

Please contact us for applications approaching maximum values.

| d | D | H | L | ISO 6195/6 | Reference |
|----|----|-----|----|------------|---------------|
| 8 | 14 | 3,5 | 5 | | 10GA 0814/3/R |
| 12 | 18 | 3,5 | 5 | | 10GA 1218/3/R |
| 14 | 20 | 3,5 | 5 | | 10GA 1420/3/R |
| 15 | 21 | 3,5 | 5 | | 10GA 1521/3/R |
| 16 | 22 | 3,5 | 5 | | 10GA 1622/3/R |
| 18 | 28 | 5 | 7 | | 10GA 1828/5/R |
| 20 | 30 | 5 | 7 | | 10GA 2030/5/R |
| 22 | 32 | 5 | 7 | | 10GA 2232/5/R |
| 25 | 35 | 5 | 7 | | 10GA 2535/5/R |
| | 35 | 7 | 10 | | 10GA 2535/7/R |
| 28 | 38 | 5 | 7 | | 10GA 2838/5/R |
| 30 | 40 | 5 | 7 | | 10GA 3040/5/R |
| | 40 | 7 | 10 | | 10GA 3040/7/R |
| 32 | 42 | 5 | 7 | | 10GA 3242/5/R |
| 35 | 45 | 7 | 10 | | 10GA 3545/7/R |
| 36 | 46 | 5 | 7 | | 10GA 3646/5/R |
| 40 | 50 | 5 | 8 | | 10GA 4050/5/R |
| 42 | 52 | 5 | 7 | | 10GA 4252/5/R |
| | 52 | 7 | 10 | | 10GA 4252/7/R |

| d | D | H | L | ISO 6195/6 | Reference |
|-----|-----|---|----|------------|-----------------|
| 45 | 55 | 5 | 7 | | 10GA 4555/5/R |
| 50 | 60 | 5 | 7 | | 10GA 5060/5/R |
| 55 | 65 | 5 | 7 | | 10GA 5565/5/R |
| 56 | 66 | 5 | 7 | | 10GA 5666/5/R |
| 60 | 70 | 5 | 7 | | 10GA 6070/5/R |
| 63 | 73 | 5 | 7 | | 10GA 6373/5/R |
| 65 | 75 | 5 | 7 | | 10GA 6575/5/R |
| 70 | 80 | 5 | 7 | | 10GA 7080/5/R |
| 75 | 83 | 7 | 10 | | 10GA 7583/7/R |
| | 85 | 7 | 10 | | 10GA 7585/7/R |
| 80 | 88 | 7 | 10 | | 10GA 8088/7/R |
| | 90 | 7 | 10 | • | 10GA 8090/7/R |
| 85 | 95 | 7 | 10 | | 10GA 8595/7/R |
| 100 | 110 | 7 | 10 | • | 10GA 100110/7/R |
| | 120 | 7 | 10 | | 10GA 100120/7/R |
| 140 | 155 | 9 | 12 | • | 10GA 140155/9/R |
| 160 | 175 | 9 | 12 | • | 10GA 160175/9/R |