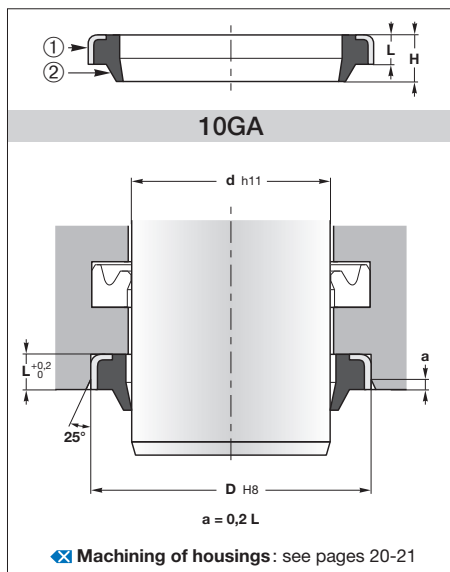




10GA



Operating conditions ✦ see page 9

Temperature -30°C to 100°C
 Speed $\leq 0,8$ m/s
 Fluids ✦ see page 17

Materials ✦ see pages 10-15

Metal cage ① Steel
 Wiper ② NBR 90 Sh A

Assembly ✦ see pages 26-29

Must be pressed in an open housing

Advantages

Small section
 No penetration at the outer diameter of the wiper
 Low cost

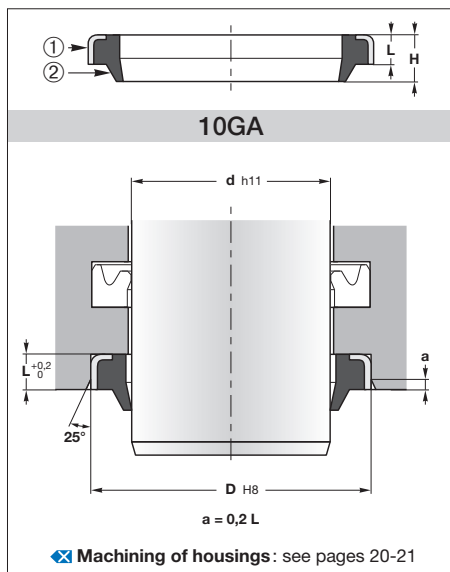
Please contact us for applications approaching maximum values.

d	D	H	L	ISO 6156/6	Reference
6	13	3	4,5		10GA 0613/3
8	15	3	5		10GA 0815/3
10	16	3	4,5		10GA 1016/3
	18	5	8		10GA 1018/5
	18,9	2,9	5		10GA 1019/3
12	20	5	8		10GA 1020/5
	18	3,5	5		10GA 1218/3
14	20	4	6		10GA 1220/4
	22	5	8		10GA 1222/5
15	20	3	4,5		10GA 1420/3
	22	3	4		10GA 1422/3
	25	5	8		10GA 1425/5
16	21	3,5	5		10GA 1521/3
	25	5	8		10GA 1525/5
18	22	3	4		10GA 1622/3
	24	5	8		10GA 1624/5
	26	5	8		10GA 1626/5
20	28	5	7		10GA 1828/5
	28	7	10	•	10GA 1828/7
22	26	3,5	5		10GA 2026/3
	28	3,5	5		10GA 2028/3
	28	5	7		10GA 2028/5
24	30	4	6		10GA 2030/4
	30	5	8		10GA 2030/5
	30	7	10	•	10GA 2030/7
25	35	7	10		10GA 2035/7
	28	5	9		10GA 2228/5
	30	4	7		10GA 2230/4
28	32	5	7		10GA 2232/5
	32	7	10	•	10GA 2232/7
30	35	5	8		10GA 2235/5
	32	5	7		10GA 2432/5
32	32	5	7		10GA 2532/5
	35	5	8		10GA 2535/5
	35	7	10	•	10GA 2535/7
38	38	5	8		10GA 2838/5
	38	7	10	•	10GA 2838/7
	40	7	10		10GA 2840/7

d	D	H	L	ISO 6156/6	Reference
30	36	5	8		10GA 3036/5
	40	5	8		10GA 3040/5
	40	7	10		10GA 3040/7
32	45	5	8		10GA 3045/5
	40	4	7		10GA 3240/4
33	42	5	7		10GA 3242/5
	42	7	10		10GA 3242/7
	45	4	8		10GA 3245/4
35	45	5	7		10GA 3245/5
	45	7	10		10GA 3245/7
	47	7	10		10GA 3247/7
36	45	7	10		10GA 3645/7
	46	5	8		10GA 3646/5
	46	7	10	•	10GA 3646/7
37	47	5	8		10GA 3747/5
	48	7	10		10GA 3848/7
40	46	5	8		10GA 4046/5
	50	5	8		10GA 4050/5
	50	7	10	•	10GA 4050/7
42	52	5	8		10GA 4052/5
	52	7	10		10GA 4252/7
45	53,5	5	8		10GA 4553/5
	55	5	8		10GA 4555/5
	55	7	10	•	10GA 4555/7
48	60	7	10		10GA 4560/7
	60	7	10		10GA 4860/7
50	56	5	8		10GA 5056/5
	60	5	8		10GA 5060/5
	60	7	10	•	10GA 5060/7
52	65	5	8		10GA 5065/5
	65	7	10		10GA 5065/7
52	62	7	10		10GA 5262/7



10GA



Operating conditions ✕ see page 9

Temperature -30°C to 100°C
 Speed $\leq 0,8$ m/s
 Fluids ✕ see page 17

Materials ✕ see pages 10-15

Metal cage ① Steel
 Wiper ② NBR 90 Sh A

Assembly ✕ see pages 26-29

Must be pressed in an open housing

Advantages

Small section
 No penetration at the outer diameter of the wiper
 Low cost

Please contact us for applications approaching maximum values.

d	D	H	L	ISO 6195/6	Reference
55	63	7	10		10GA 5563/7
	65	5	8		10GA 5565/5
	65	7	10		10GA 5565/7
56	70	7	10		10GA 5570/7
	80	5	8		10GA 5580/5
	66	7	10	•	10GA 5666/7
60	70	5	7		10GA 6070/5
	70	7	10		10GA 6070/7
	74	5	8		10GA 6074/5
63	75	7	10		10GA 6375/7
	75	7	10		10GA 6375/7
	83	5	8		10GA 6383/5
65	75	7	10		10GA 6575/7
	80	7	10		10GA 6080/7
70	80	5	7		10GA 7080/5
	80	7	10	•	10GA 7080/7
75	85	7	10		10GA 7585/7
	87	5	7		10GA 7587/5
80	90	7	10	•	10GA 8090/7
	94	5	8		10GA 8494/5
85	95	7	10		10GA 8595/7
90	100	5	7		10GA 90100/5
	100	7	10	•	10GA 90100/7
95	105	7	10		10GA 95105/7
100	110	5	7		10GA 100110/5
	110	7	10		10GA 100110/7
	115	8	11		10GA 100115/8

d	D	H	L	ISO 6195/6	Reference
105	115	7	10		10GA 105115/7
	125	9	12	•	10GA 110120/7 10GA 110125/9
110	120	7	10		10GA 110120/7
115	125	7	10		10GA 115125/7
	130	7	10		10GA 120130/7
120	130	7	10		10GA 120130/7
	147	9	12		10GA 123147/9
125	135	7	10		10GA 125135/7
	140	7	10		10GA 125140/7
	140	9	12	•	10GA 125140/9
130	145	9	12		10GA 130145/9
	145	7	10		10GA 135145/7
135	145	7	10		10GA 135145/7
	150	9	10		10GA 135150/9
140	150	7	10		10GA 140150/7
	155	9	12	•	10GA 140155/9
150	165	9	12		10GA 150165/9
	166	8	12		10GA 150166/8
152,4	171,45	7,8	12		10GA 152171/5
160	175	9	12	•	10GA 160175/9
	185	10	14		10GA 170185/10
170	185	10	14		10GA 170185/10
180	195	10	14		10GA 180195/10
	220	12	16		10GA 200220/12
200	220	12	16		10GA 200220/12
	230	12	16		10GA 210230/12
210	230	12	16		10GA 210230/12
	240	12	16		10GA 220240/12
220	240	12	16		10GA 220240/12